



Ethnicraft

COLLECTION 2018

THE TIMELESS BEAUTY OF SOLID WOOD

08	TABLES
30	CHAIRS
48	SIDEBOARDS
70	CUPBOARDS
84	SHELVES
92	TV CUPBOARDS
102	COFFEE TABLES
116	SIDE TABLES
130	BEDS & BEDSIDE TABLES
148	DRESSERS & CHEST OF DRAWERS
162	OFFICE
176	CONSOLES
182	SOFAS
196	LIGHTING
204	AND MORE

ICONS YOU MIGHT COME ACROSS
IN OUR PRODUCT CATALOGUE

O **OILED**
The items marked with this icon are finished with a natural oil.
Visit page 214 for more information on how to take care
of our oiled furniture.

V **VARNISHED**
The items marked with this icon are finished with varnish.
Visit page 214 for more information on how to take care
of our varnished furniture.

B **BRUSHED**
The items marked with this icon are brushed. This finishing
gives our furniture more depth. The rougher surface highlights
the grain of the wood.

100 % **SOLID WOOD**
The items marked with this icon are 100% made out
of solid wood.

FSC **FOREST STEWARDSHIP COUNCIL**
The items marked with this icon carry the FSC 100% label.
Visit page 217 for more information on the organization
that promotes responsible management of the world's forests.



The mark of
responsible forestry



The mark of
responsible forestry

TABLES



*Dining tables are all about bringing people together.
We have an extensive collection of tables in many sizes and styles,
suitable for all kinds of situations.*





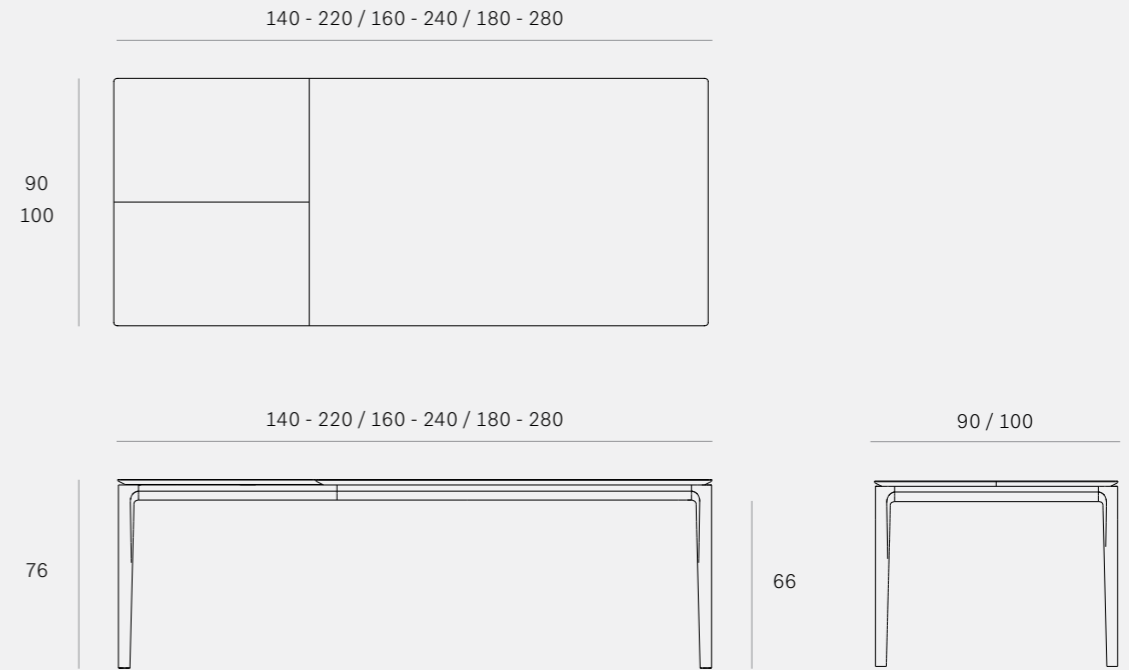
BOK EXTENDABLE DINING TABLE -
OAK ● © 100% **NEW**

- 51502 140/220 x 90 x 76 cm
- 51503 160/240 x 90 x 76 cm
- 51504 180/280 x 100 x 76 cm

DETAIL



DIMENSIONS (CM)





SLICE EXTENDABLE DINING TABLE - OAK ● ◎ 100%

LEGS 8 × 8 CM

51942 140/220 × 90 × 76 CM

LEGS 10 × 10 CM

51943 160/240 × 90 × 76 CM

50583 180/280 × 100 × 76 CM



SLICE EXTENDABLE DINING TABLE - TEAK ●

LEGS 8 × 8 CM

11942 140/220 × 90 × 76 CM

LEGS 10 × 10 CM

11943 160/233 × 90 × 76 CM

11944 180/280 × 100 × 76 CM



SLICE EXTENDABLE DINING TABLE - WALNUT ● ◎

LEGS 10 × 10 CM

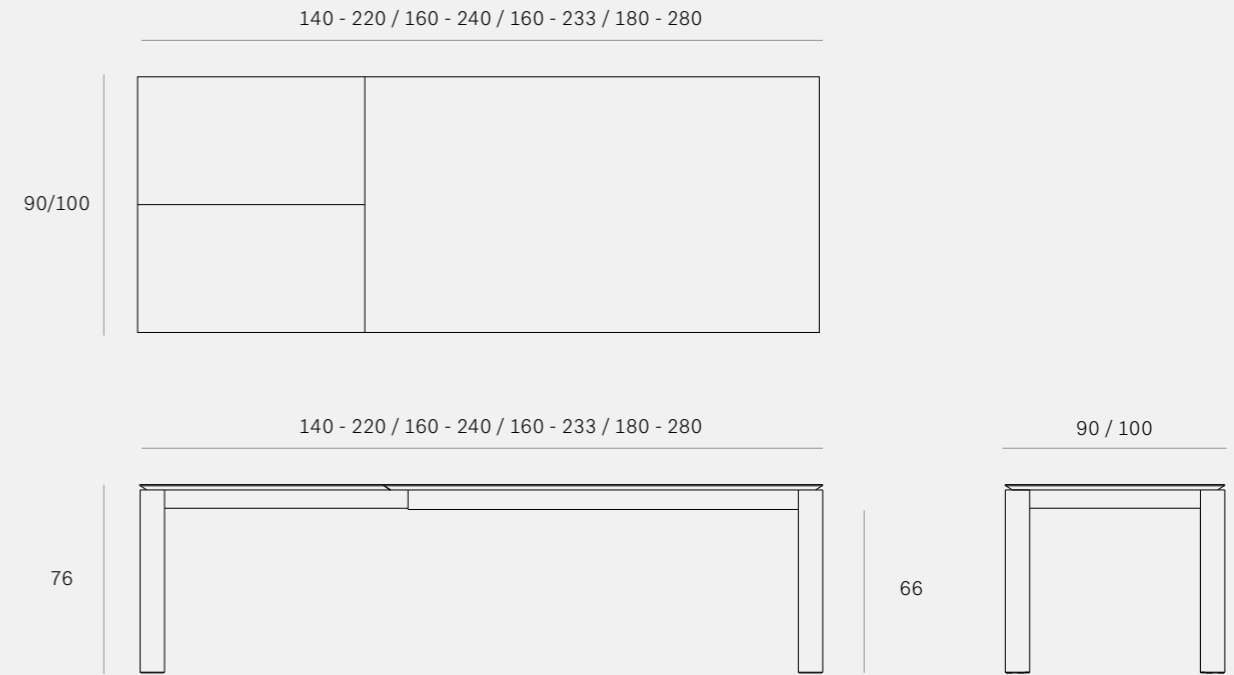
41943 160/233 × 90 × 76 CM

41944 180/280 × 100 × 76 CM

DETAIL



DIMENSIONS (CM)





DOUBLE EXTENDABLE DINING TABLE - OAK ● © 100%

52066 200/300 × 100 × 76 cm



DOUBLE EXTENDABLE DINING TABLE - TEAK ●

12066 200/300 × 100 × 76 cm

DETAIL



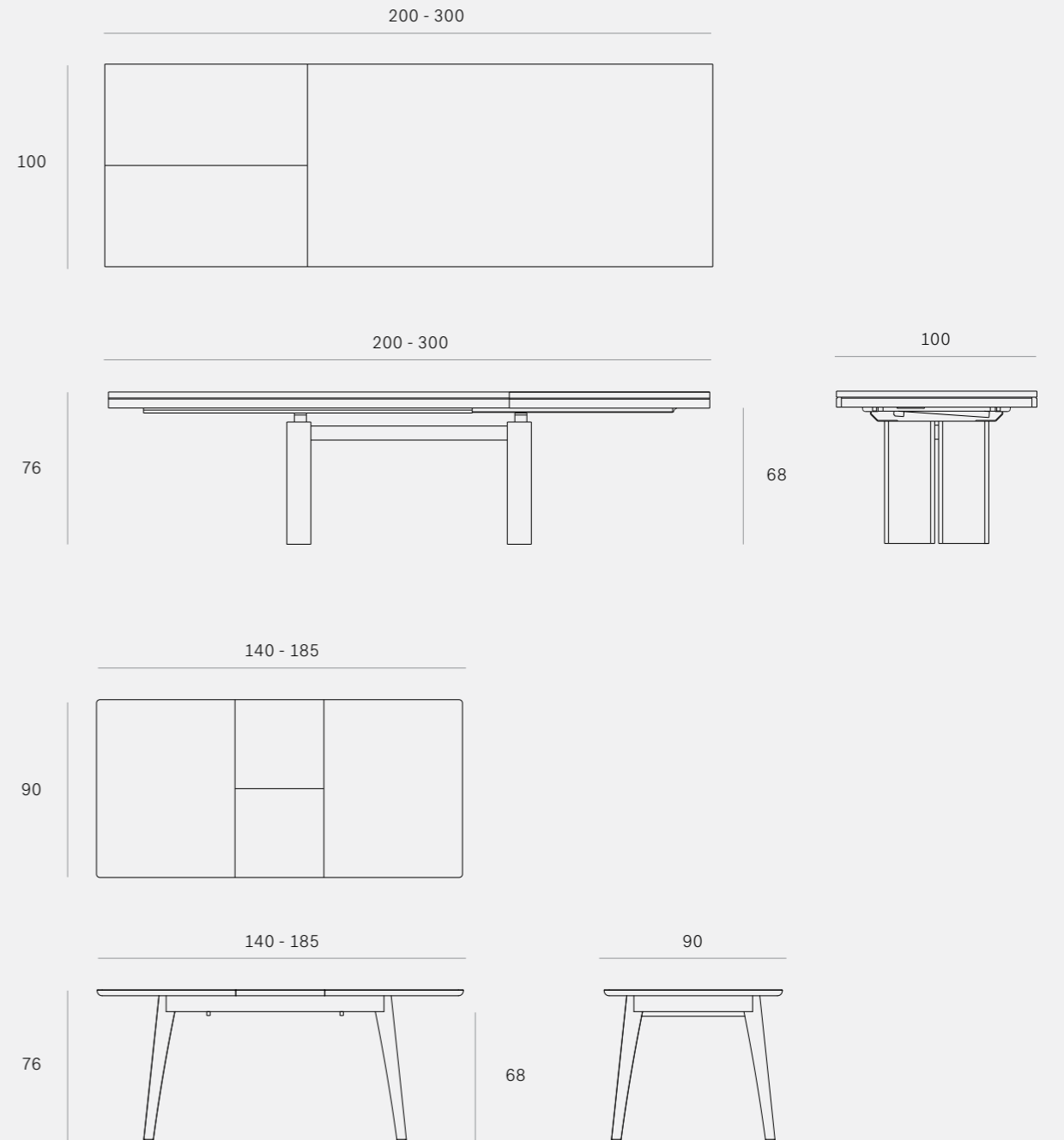
OSSO EXTENDABLE DINING TABLE - OAK ● © 100%

53029 140/185 × 90 × 76 cm

DETAIL



DIMENSIONS (CM)





BOK DINING TABLE - OAK ● © 100%

- 51500 140 x 80 x 76 CM **NEW**
- 51495 160 x 80 x 76 CM
- 51496 180 x 90 x 76 CM
- 51497 200 x 95 x 76 CM
- 51498 220 x 95 x 76 CM
- 51499 240 x 100 x 76 CM

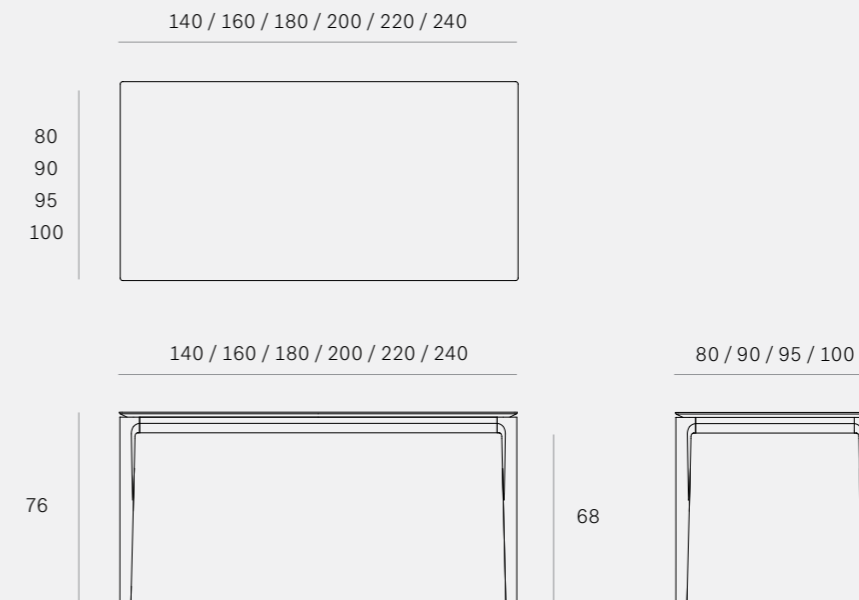
BOK DINING TABLE - OAK BLACK ● (V) (B) 100%

- 51511 140 x 80 x 76 CM **NEW**
- 51505 160 x 80 x 76 CM
- 51506 180 x 90 x 76 CM
- 51507 200 x 95 x 76 CM
- 51508 220 x 95 x 76 CM
- 51509 240 x 100 x 76 CM

DETAIL



DIMENSIONS (CM)





SLICE DINING TABLE -
OAK ● © 100%

LEGS 8 × 8 CM

50570 140 × 80 × 76 CM

LEGS 10 × 10 CM

50572 150 × 150 × 76 CM

50571 160 × 90 × 76 CM

50573 180 × 90 × 76 CM

50574 200 × 100 × 76 CM

50575 220 × 100 × 76 CM



SLICE DINING TABLE -
TEAK ● FSC 100%

LEGS 8 × 8 CM

11965 140 × 80 × 76 CM

LEGS 10 × 10 CM

11966 150 × 150 × 76 CM

11967 160 × 90 × 76 CM

11968 180 × 90 × 76 CM

11969 200 × 100 × 76 CM

11970 220 × 100 × 76 CM



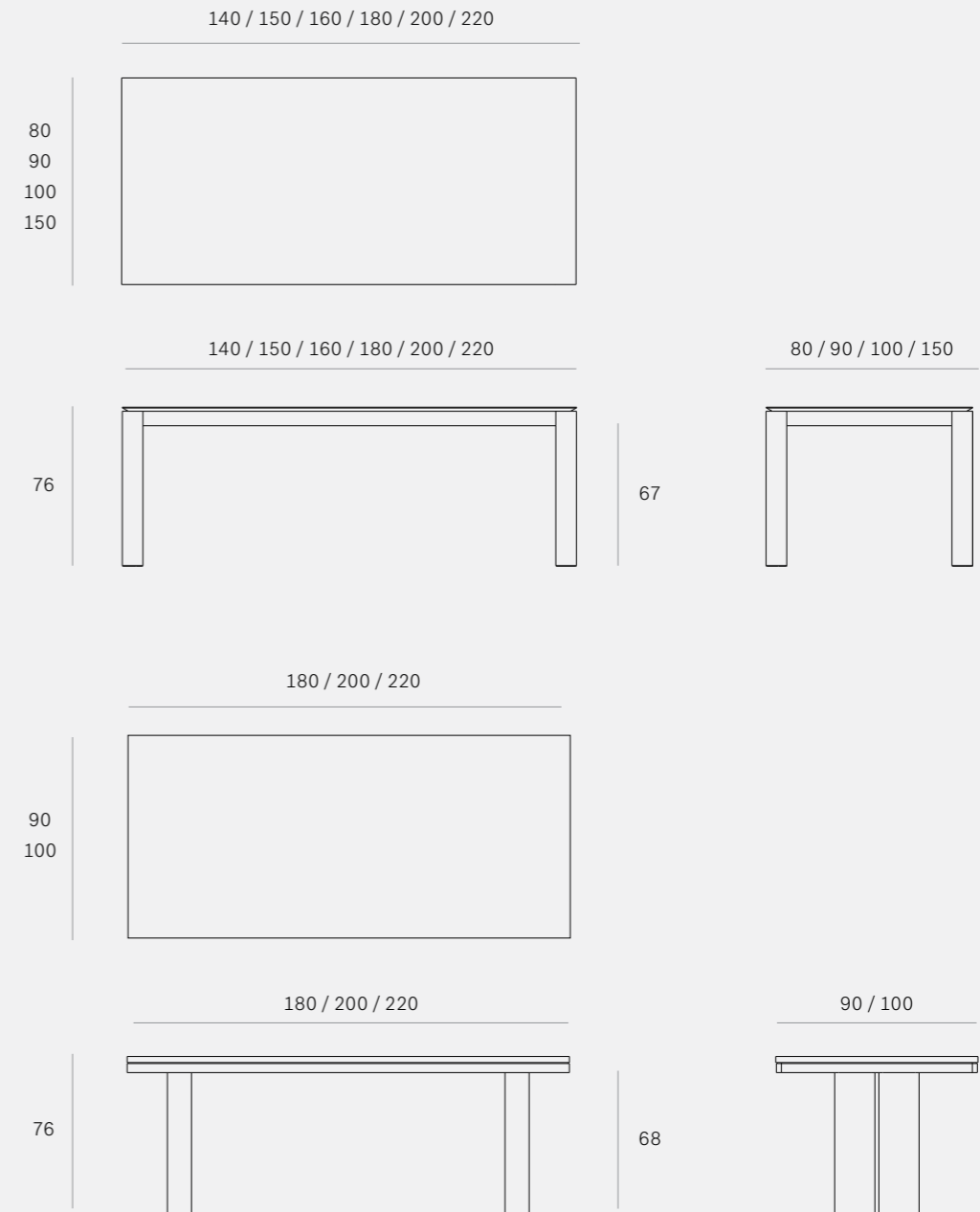
DOUBLE DINING TABLE -
TEAK ● FSC 100%

12067 180 × 90 × 76 CM

12068 200 × 100 × 76 CM

12069 220 × 100 × 76 CM

DIMENSIONS (CM)





OSSO DINING TABLE -
WALNUT ● © 100%

- 43027 200 × 100 × 75 cm
- 43026 240 × 105 × 75 cm

DETAIL



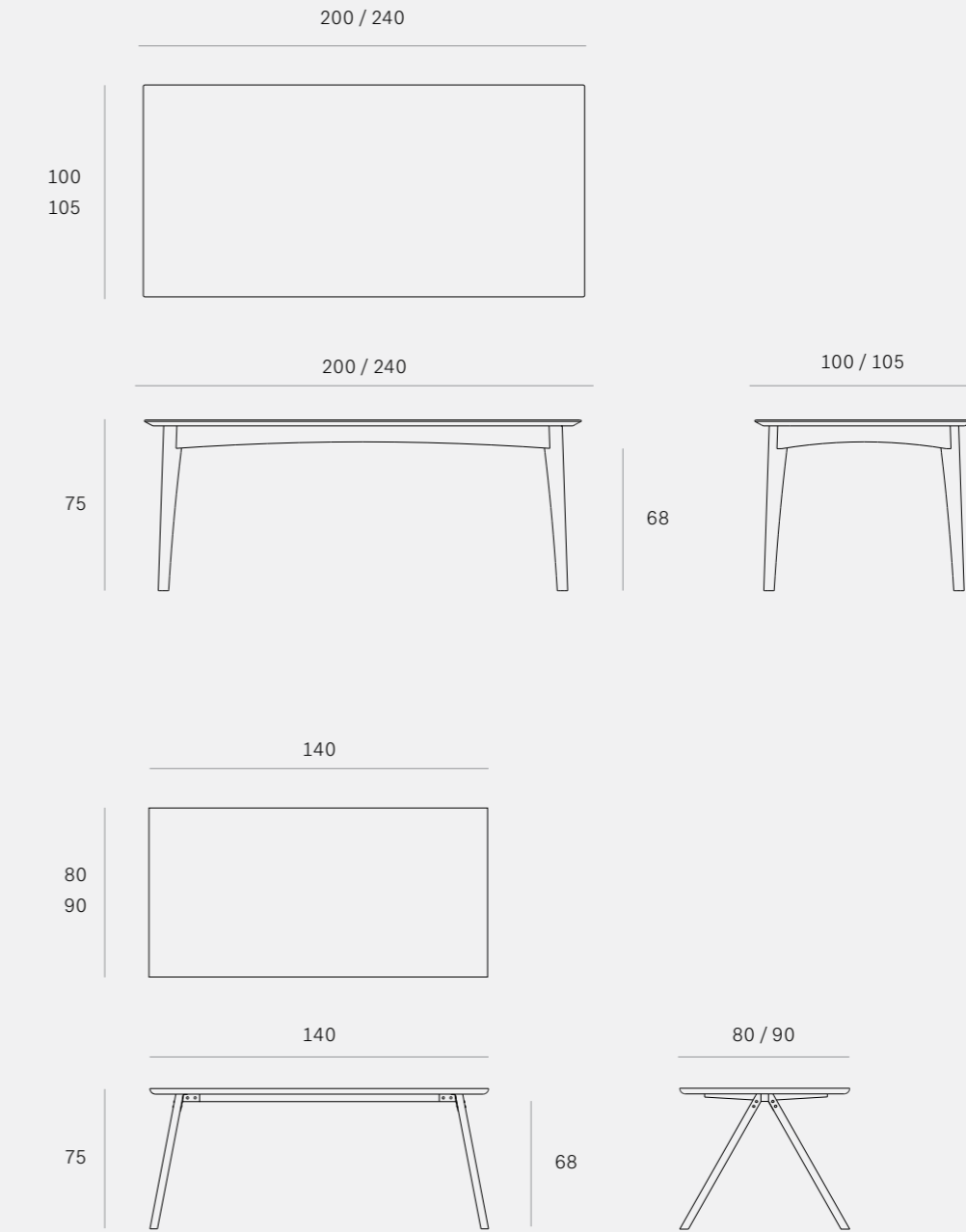
FLOW DINING TABLE -
OAK ● © FSC 100%

- 26802 140 × 80 × 75 cm
- 26213 140 × 90 × 75 cm

DETAIL



DIMENSIONS (CM)





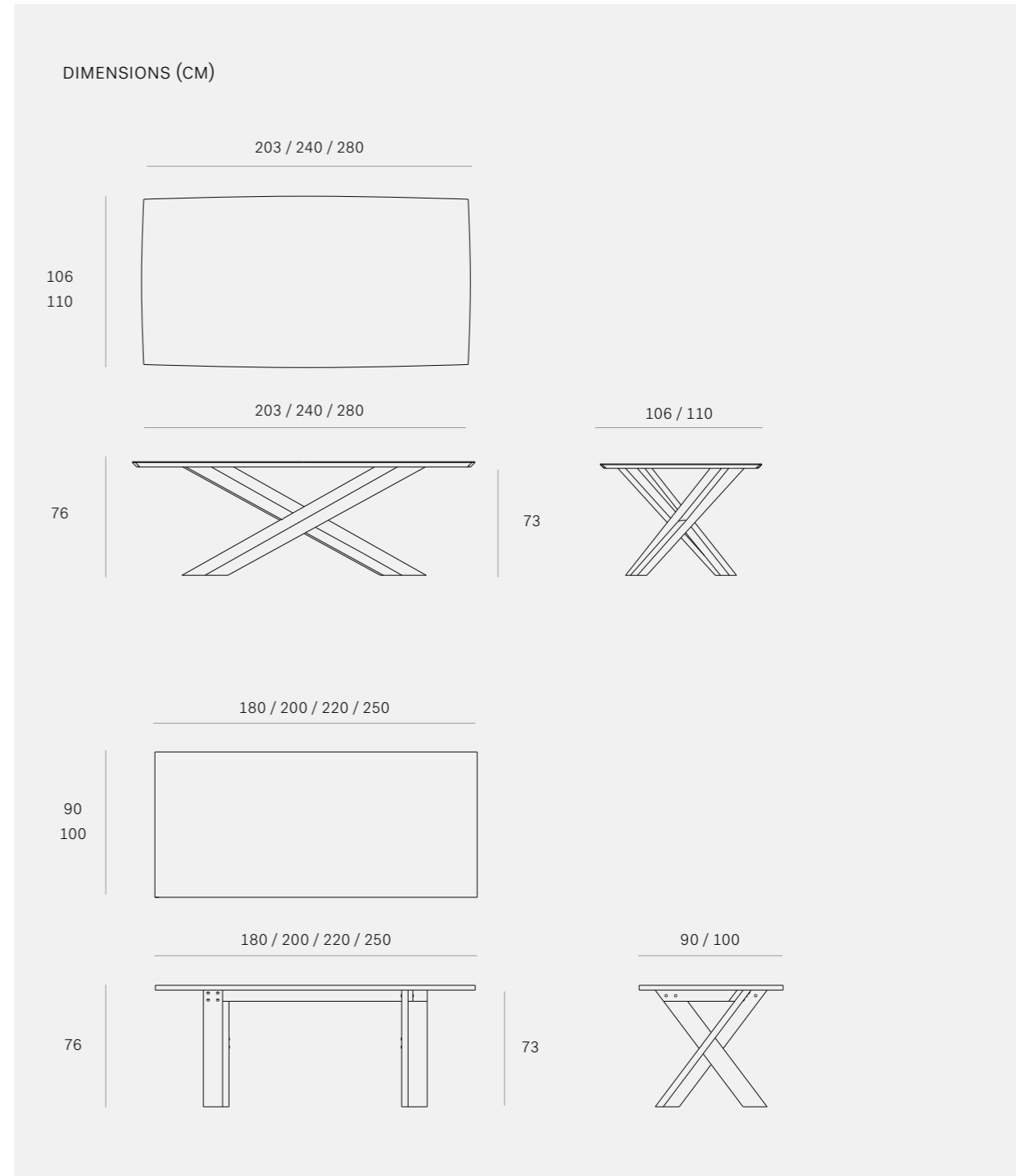
MIKADO DINING TABLE -
OAK ● © 100%

- 50179 203 × 106 × 76 CM
- 50178 240 × 110 × 76 CM
- 50180 280 × 110 × 76 CM **NEW**



PETERSSON DINING TABLE -
OAK ● © 100%

- 50566 180 × 90 × 76 CM
- 50567 200 × 90 × 76 CM
- 50568 220 × 100 × 76 CM
- 50569 250 × 100 × 76 CM

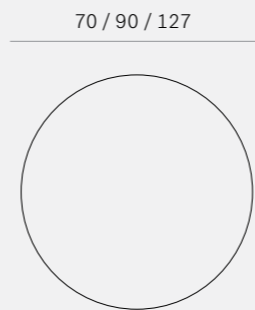




TORSION DINING TABLE -
OAK BLACK ● (V) (B) 100%

- 50011 70 × 70 × 76 CM
- 50013 90 × 90 × 76 CM
- 50012 127 × 127 × 76 CM

DIMENSIONS (CM)





CIRCLE DINING TABLE -
OAK ● ♻️ 100%

- 50165 136 × 136 × 76 CM
- 50164 163 × 163 × 76 CM



CIRCLE DINING TABLE -
TEAK ● FSC 100%

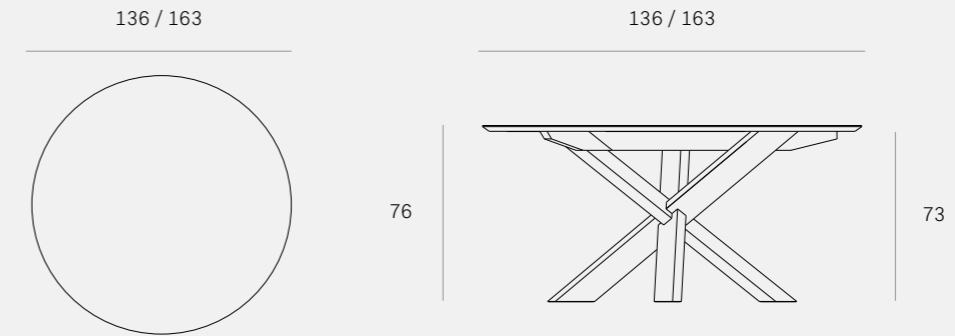
- 10165 136 × 136 × 76 CM
- 10164 163 × 163 × 76 CM



CIRCLE DINING TABLE -
WALNUT ● © 100%

- 40165 136 × 136 × 76 CM
- 40164 163 × 163 × 76 CM

DIMENSIONS (CM)





OSSO ROUND TABLE -
OAK ● ◎ 100%

53031 120 × 120 × 75 cm

OSSO ROUND TABLE -
OAK BLACK ● ◐ 100%

53038 120 × 120 × 75 cm

OSSO ROUND TABLE -
WALNUT ● ◎ 100%

43031 120 × 120 × 75 cm



OSSO ROUND TABLE HIGH -
WALNUT ● ◎ 100%

43030 120 × 120 × 88 cm

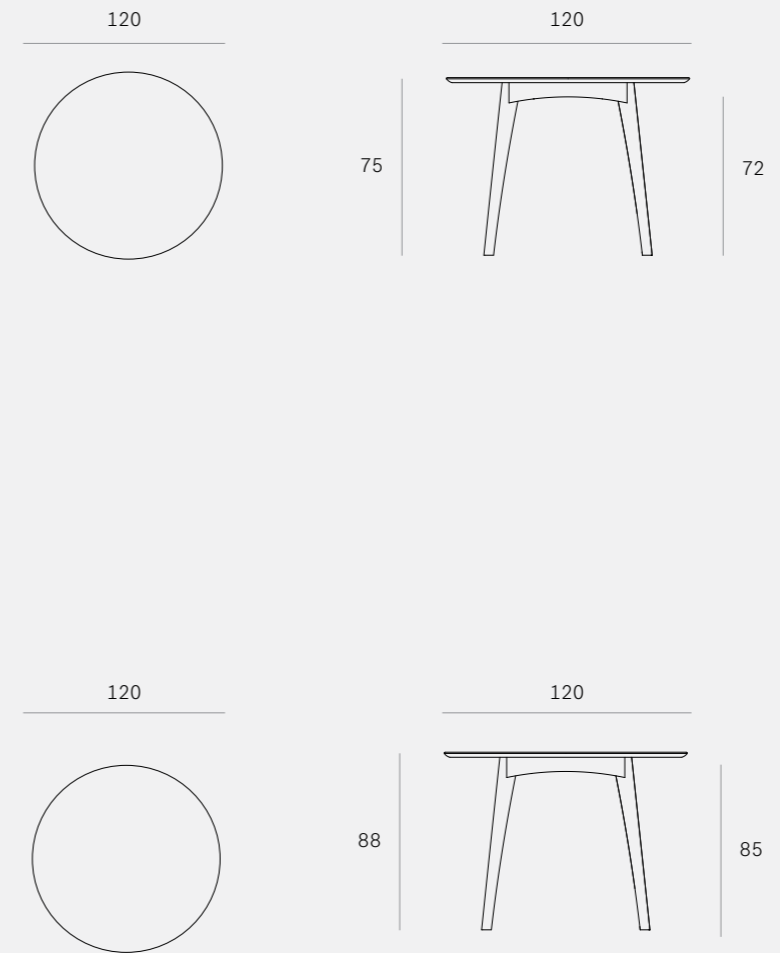
OSSO ROUND TABLE HIGH -
OAK BLACK ● ◐ 100%

53037 120 × 120 × 88 cm

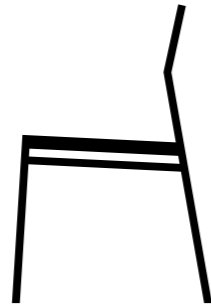
OSSO ROUND TABLE HIGH -
OAK ● ◎ 100%

53030 120 × 120 × 88 cm

DIMENSIONS (CM)



CHAIRS



*All our chairs combine timeless classic design with sturdiness -
which allows you to enjoy them for many years.*





BOK CHAIR - OAK ● © 100%

51490 50 x 53 x 76 cm



BOK CHAIR - OAK BLACK ● (V) (B) 100%

51491 50 x 53 x 76 cm



FACETTE CHAIR - OAK ● © FSC 100%
BLACK METAL LEGS

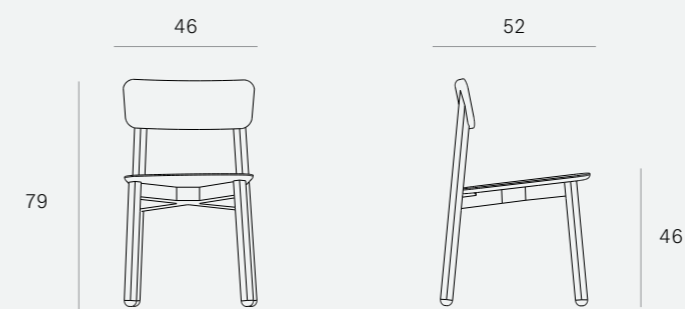
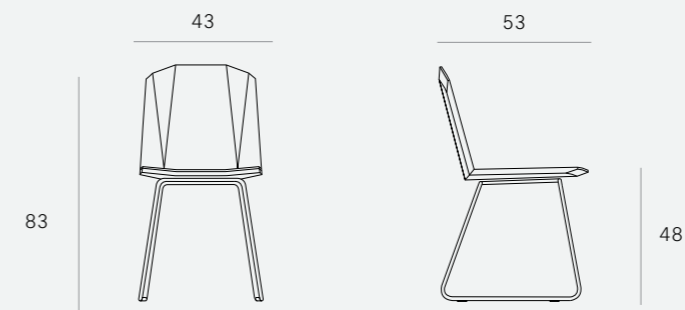
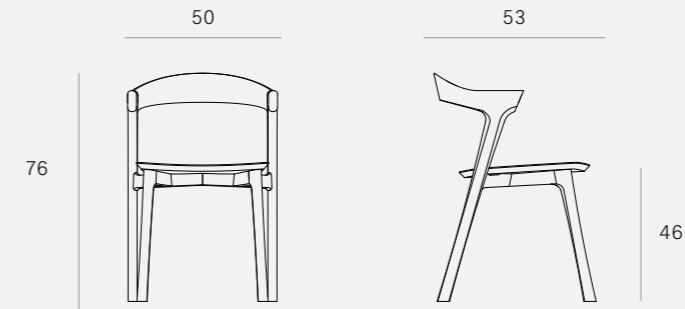
27046 43 x 53 x 83 cm



CASALE CHAIR - OAK ● © 100%

50653 46 x 52 x 79 cm

DIMENSIONS (CM)





EX 1 CHAIR - OAK ● © 100%

50657 43 x 56 x 82 CM



EX 1 CHAIR - TEAK ● FSC 100%

15270 43 x 56 x 82 CM



EX 1 CHAIR - TEAK ●
TURKISH COFFEE UPHOLSTERY

14680 43 x 56 x 82 CM

FABRIC: 100% BELGIAN LINEN

DETAIL

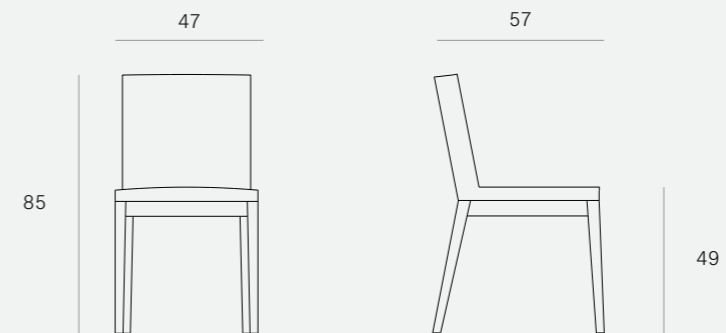
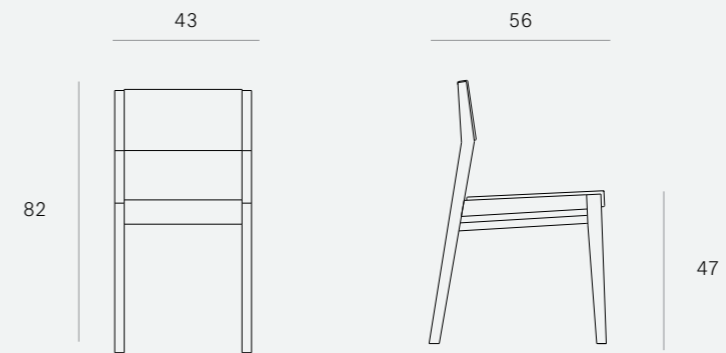
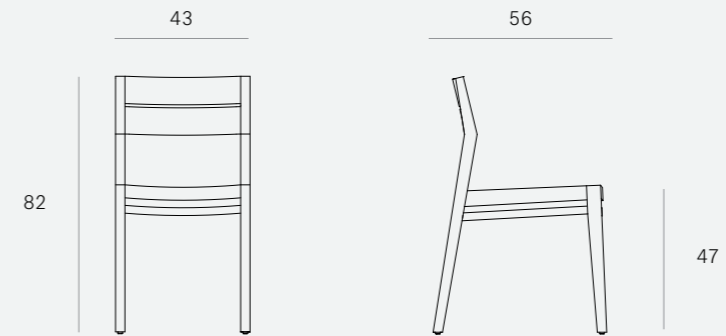


B1 CHAIR - TEAK ●
TURKISH COFFEE UPHOLSTERY

14670 47 x 57 x 85 CM

FABRIC: 100% BELGIAN LINEN

DIMENSIONS (CM)





OSSO STOOL - OAK ● 100%

53033 50 x 33 x 48 CM

OSSO STOOL - OAK BLACK ● 100%

53040 50 x 33 x 48 CM

OSSO STOOL - WALNUT ● 100%

43033 50 x 33 x 48 CM



CUBA CHAIR - TEAK ●

14740 51 x 47 x 55 CM

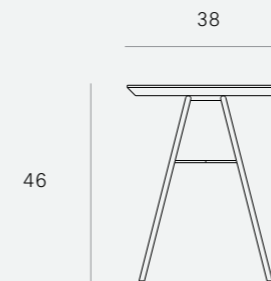
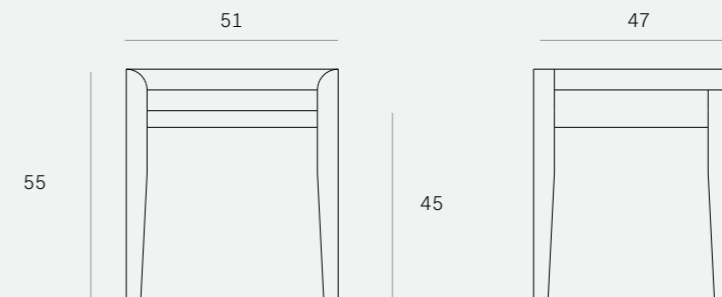
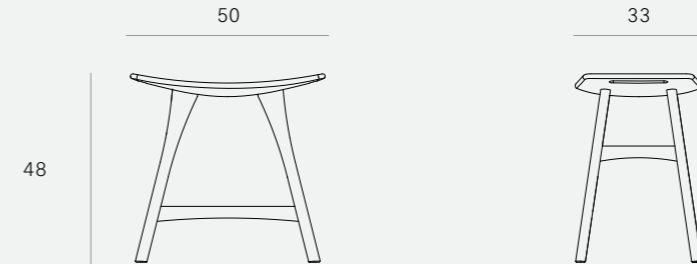


DISC STOOL - OAK ● FSC 100%

BLACK METAL LEGS

26614 36 x 38 x 46 CM

DIMENSIONS (CM)





N3 KITCHEN COUNTER STOOL - OAK ● © 100%

50687 49 x 50 x 92



N3 KITCHEN COUNTER STOOL - TEAK ● FSC 100%

14687 49 x 50 x 92



N4 BAR STOOL - OAK ● © 100%

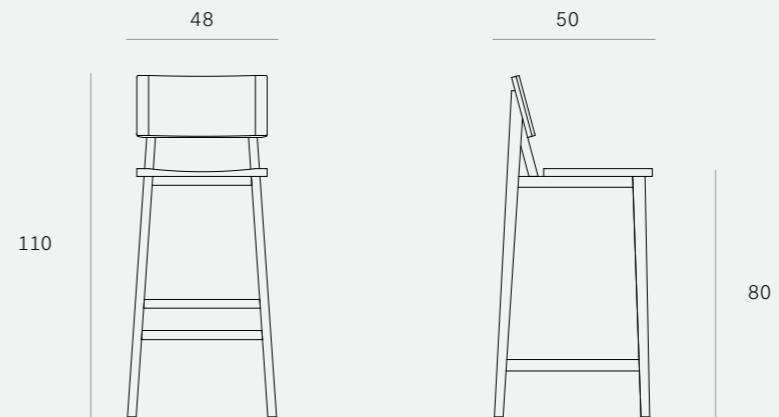
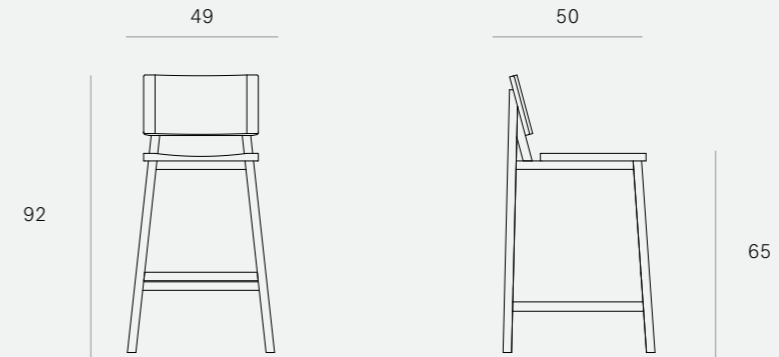
50688 48 x 50 x 110 cm



N4 BAR STOOL - TEAK ● FSC 100%

14688 48 x 50 x 110 cm

DIMENSIONS (CM)





OSSO STOOL HIGH -
OAK ● ◎ 100%

53032 57 x 33 x 61 CM

OSSO STOOL HIGH -
OAK BLACK ● ▼ 100%

53039 57 x 33 x 61 CM

OSSO STOOL HIGH -
WALNUT ● ◎ 100%

43032 57 x 33 x 61 CM



GABBIA CHAIR -
OAK ● ◎ FSC 100%
BLACK METAL

26694 62 x 69 x 76 CM



BJORSING CHAIR -
OAK ● ◎ 100%

50678 62 x 63 x 85 CM

DIMENSIONS (CM)





N2 LOUNGE CHAIR - OAK ● © 100%

50686 58 x 69 x 70 CM



N2 LOUNGE CHAIR - TEAK ● FSC 100%

14686 58 x 69 x 70 CM



SQUARE ROOT SOFA - TEAK ●

TURKISH COFFEE UPHOLSTERY

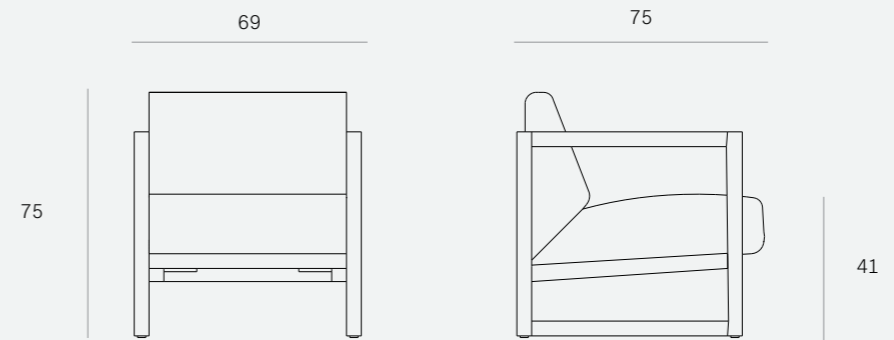
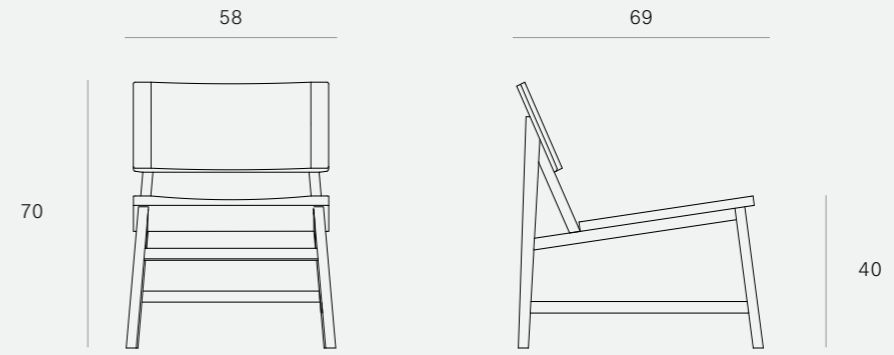
14747 69 x 75 x 75 CM

FABRIC: 100% BELGIAN LINEN

DETAIL



DIMENSIONS (CM)





SPINDLE BENCH - OAK ● 100% **NEW**
BACKREST

51243 150 x 35 x 60 CM



SPINDLE BENCH - WALNUT ● 100%
BACKREST

45180 150 x 35 x 60 CM



SPINDLE BENCH - WALNUT ●
DARK GREY UPHOLSTERY

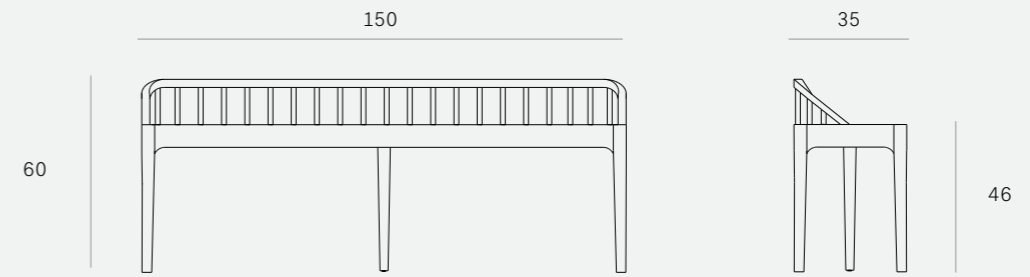
45181 150 x 35 x 47 CM

FABRIC: POLYESTER 54%, VISCOSE 46%

DETAIL



DIMENSIONS (CM)





STRAIGHT BENCH - OAK ● ◎ 100%

- 50385 140 x 35 x 45 CM
- 50386 160 x 35 x 45 CM
- 50388 180 x 35 x 45 CM
- 50390 200 x 35 x 45 CM



N3 BENCH - OAK ● ◎ 100%

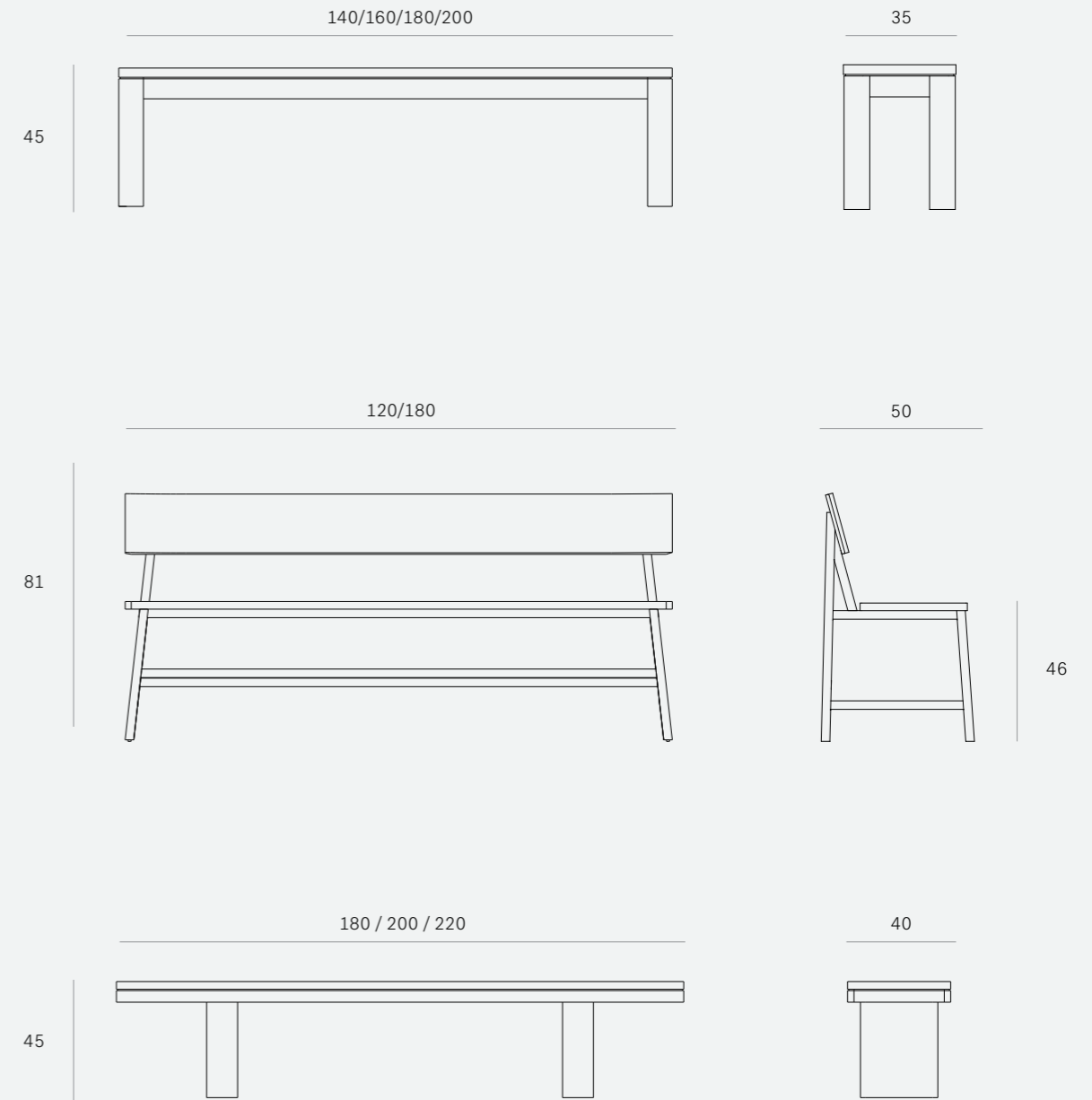
- 50692 120 x 50 x 81 CM
- 50691 180 x 50 x 81 CM



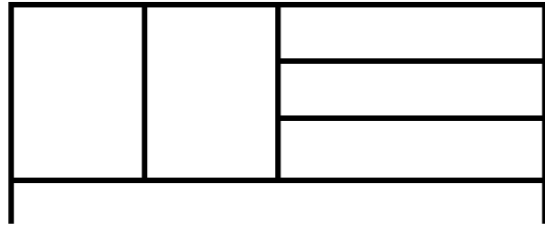
DOUBLE BENCH - TEAK ● FSC 100%

- 12084 180 x 40 x 45 CM
- 12085 200 x 40 x 45 CM
- 12086 220 x 40 x 45 CM

DIMENSIONS (CM)

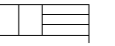


SIDEBOARDS



*Designed with both function and character in mind,
our sideboards offer plenty of storage space
and add instant elegance to any room.*





WHITEBIRD SIDEBOARD -
OAK ● (V) 100%
2 DOORS, 3 DRAWERS, BLACK METAL LEGS

51468 180 x 45 x 80 CM



BLACKBIRD SIDEBOARD -
OAK & OAK BLACK ● (V) (B) 100%
2 DOORS, 3 DRAWERS, BLACK METAL LEGS

51471 180 x 45 x 80 CM



WHITEBIRD SIDEBOARD -
OAK ● (V) 100%
3 DOORS, 2 DRAWERS, BLACK METAL LEGS

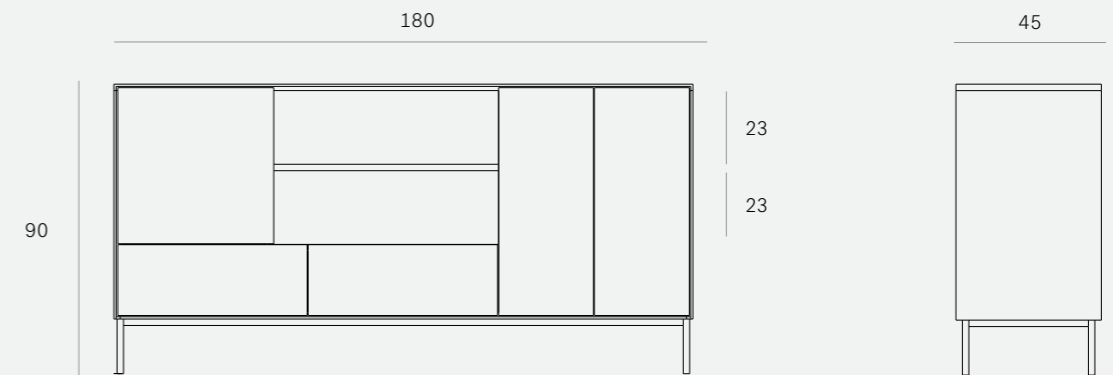
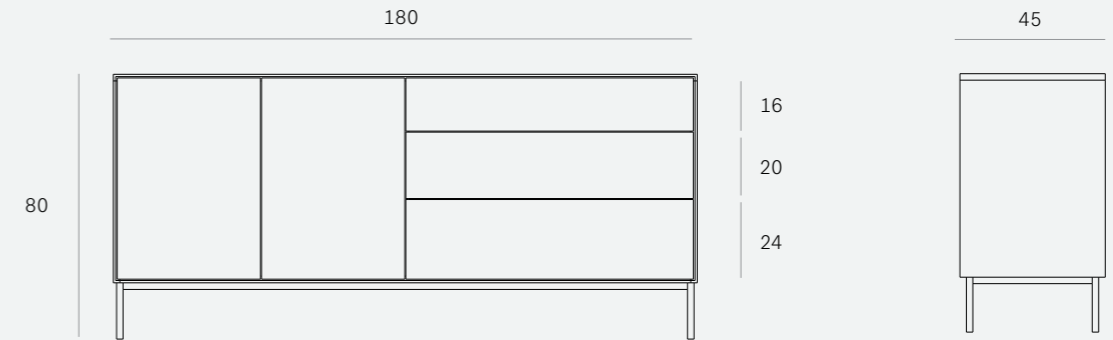
51467 180 x 45 x 90 CM

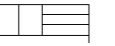


BLACKBIRD SIDEBOARD -
OAK & OAK BLACK ● (V) (B) 100%
3 DOORS, 2 DRAWERS, BLACK METAL LEGS

51472 180 x 45 x 90 CM

DIMENSIONS (CM)





MONOLIT SIDEBOARD -
OAK ● ◎ FSC 100%
2 DOORS, WHITE METAL

26859 110 x 45 x 78 cm



MONOLIT SIDEBOARD -
OAK ● ◎ FSC 100%
2 DOORS, BLACK METAL

26860 110 x 45 x 78 cm



MONOLIT SIDEBOARD -
OAK BLACK ● ▼ ◎ FSC 100%
2 DOORS, BLACK METAL

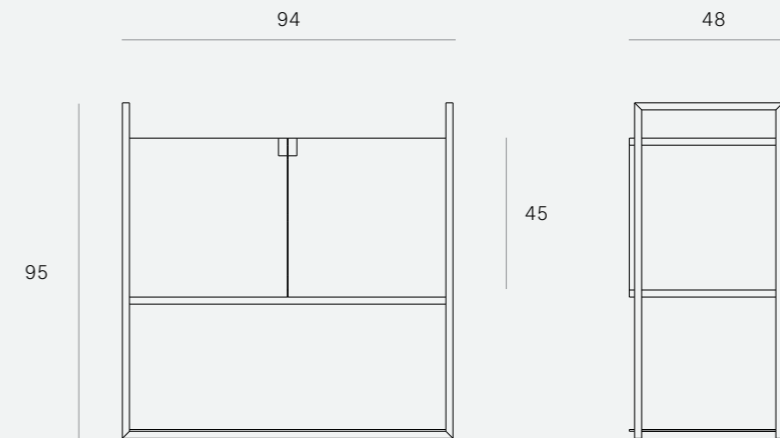
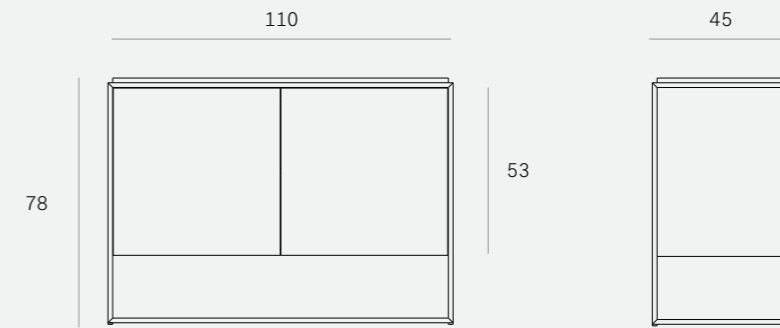
26861 110 x 45 x 78 cm

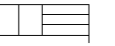


CELL UNIT SIDEBOARD -
OAK ● ◎ 100% **NEW**
2 DOORS, BLACK METAL

51065 94 x 48 x 95 cm

DIMENSIONS (CM)





WAVE SIDEBOARD - OAK ● ◎ 100%

1 DOOR, 3 DRAWERS

51450 148 x 46 x 77 CM



WAVE SIDEBOARD - OAK ● ◎ 100%

2 DOORS, 3 DRAWERS

51451 205 x 46 x 77 CM



WAVE SIDEBOARD - TEAK ● FSC 100%

2 DOORS, 3 DRAWERS

11451 205 x 46 x 77 CM

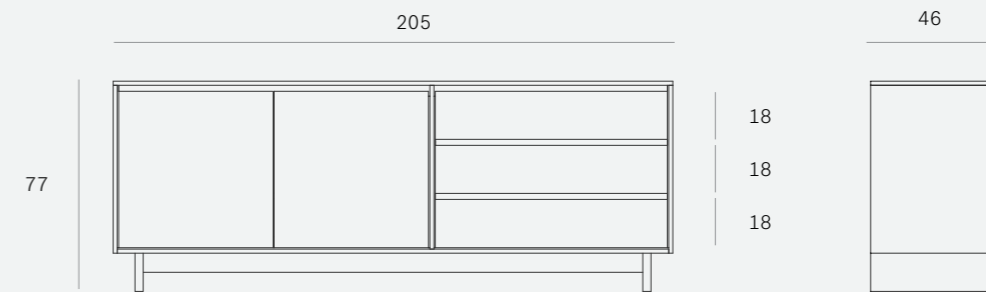
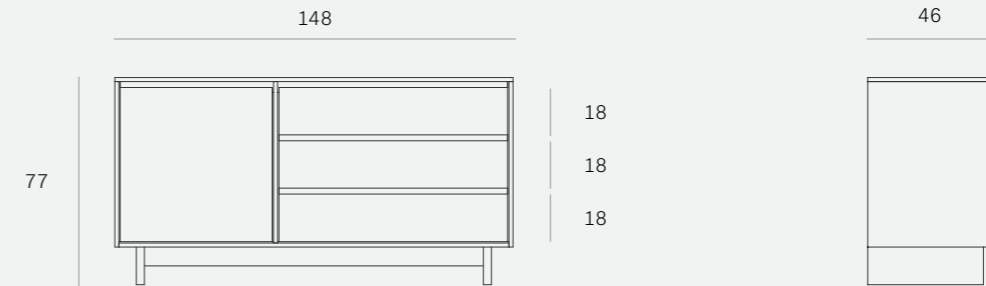


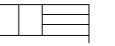
WAVE SIDEBOARD - WALNUT ● ◎ 100%

2 DOORS, 3 DRAWERS

41451 205 x 46 x 77 CM

DIMENSIONS (CM)





SHADOW SIDEBOARD - OAK ● © 100%
2 DOORS

51370 109 x 45 x 84 CM



SHADOW SIDEBOARD - OAK ● © 100%
3 DOORS

51371 156 x 45 x 84 CM



SHADOW SIDEBOARD - OAK ● © 100%
4 DOORS

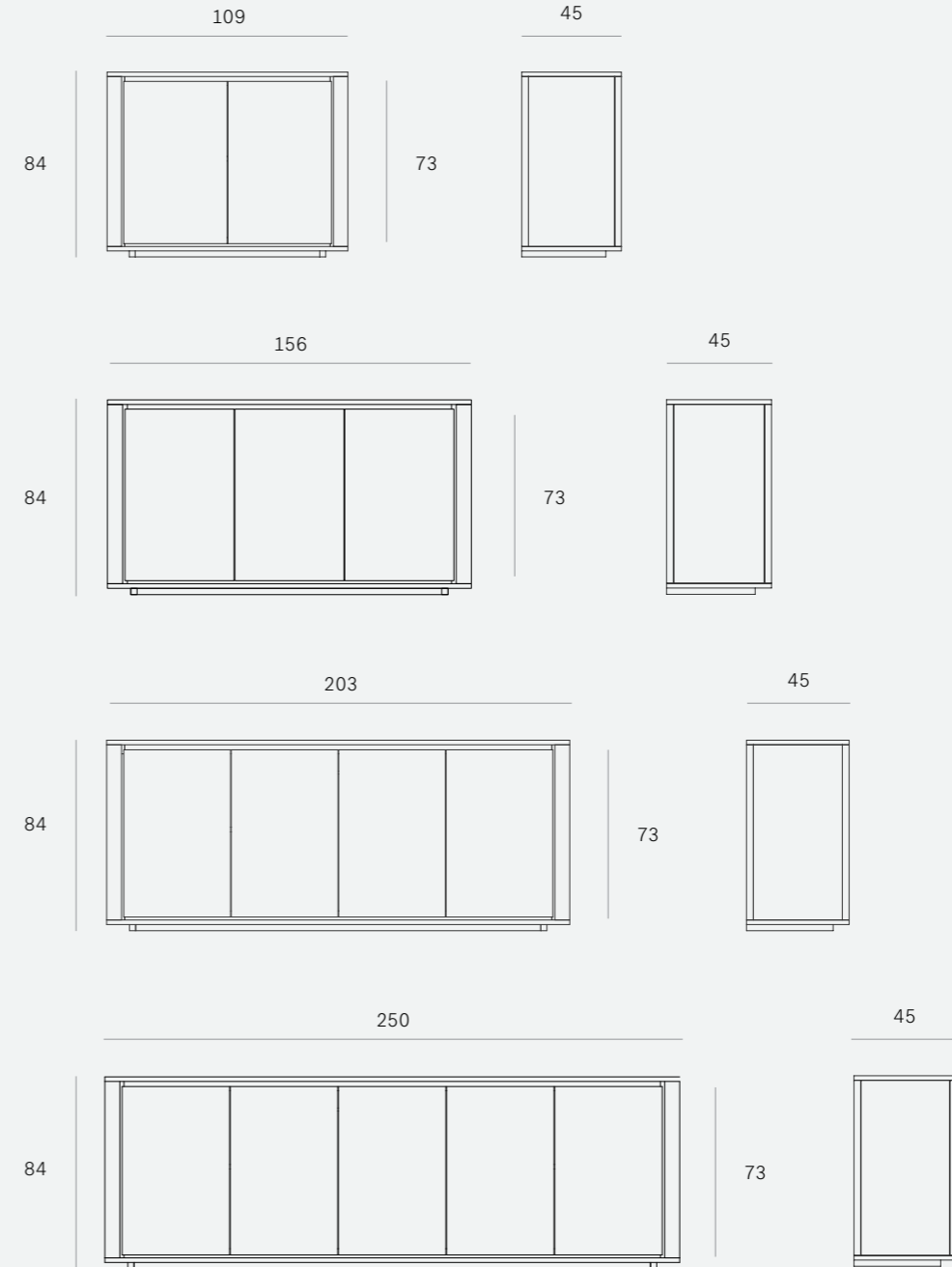
51372 203 x 45 x 84 CM

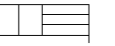


SHADOW SIDEBOARD - OAK ● © 100%
5 DOORS

51373 250 x 45 x 84 CM

DIMENSIONS (CM)





BURGER SIDEBOARD - OAK ● ◎ 100%
3 PUSH OPEN DOORS

51390 150 x 45 x 85 CM



BURGER SIDEBOARD - TEAK ● FSC 100%
3 PUSH OPEN DOORS

15321 150 x 45 x 85 CM



BURGER SIDEBOARD - OAK ● ◎ 100%
4 PUSH OPEN DOORS

51391 200 x 45 x 85 CM



BURGER SIDEBOARD - TEAK ● FSC 100%
4 PUSH OPEN DOORS

15322 200 x 45 x 85 CM



BURGER SIDEBOARD - OAK ● ◎ 100%
5 PUSH OPEN DOORS, 3 DRAWERS

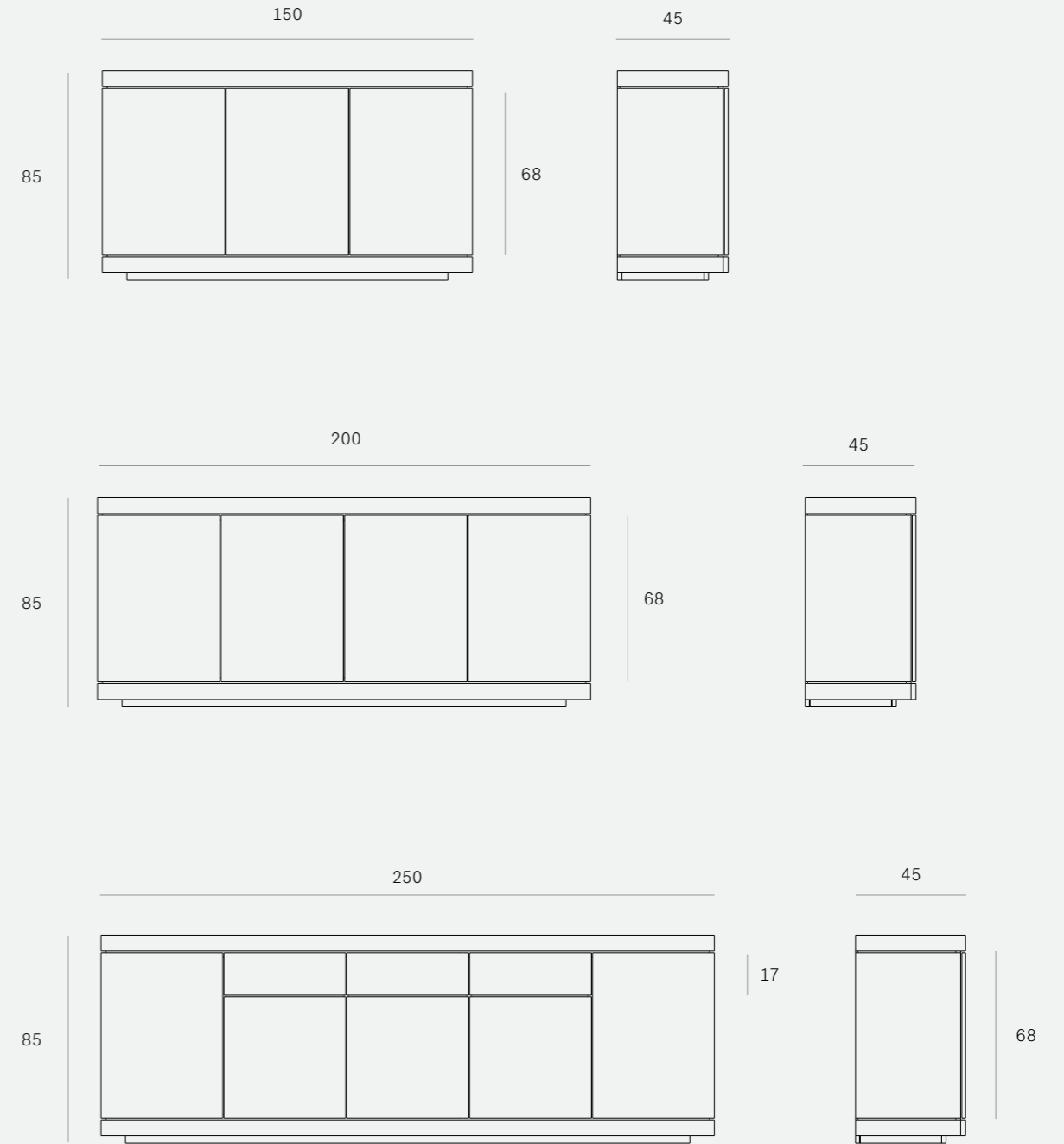
51393 250 x 45 x 85 CM

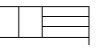


BURGER SIDEBOARD - TEAK ● FSC 100%
5 PUSH OPEN DOORS, 3 DRAWERS

15331 250 x 45 x 85 CM

DIMENSIONS (CM)





LIGNA SIDEBOARD - OAK ●◎ 100%
2 DOORS, 2 DRAWERS, STAINLESS STEEL LEGS

50949 110 x 45 x 78 CM



LIGNA SIDEBOARD - OAK ●◎ 100%
3 DOORS, 3 DRAWERS, STAINLESS STEEL LEGS

50950 165 x 45 x 78 CM



LIGNA SIDEBOARD - OAK ●◎ 100%
4 DOORS, 4 DRAWERS, STAINLESS STEEL LEGS

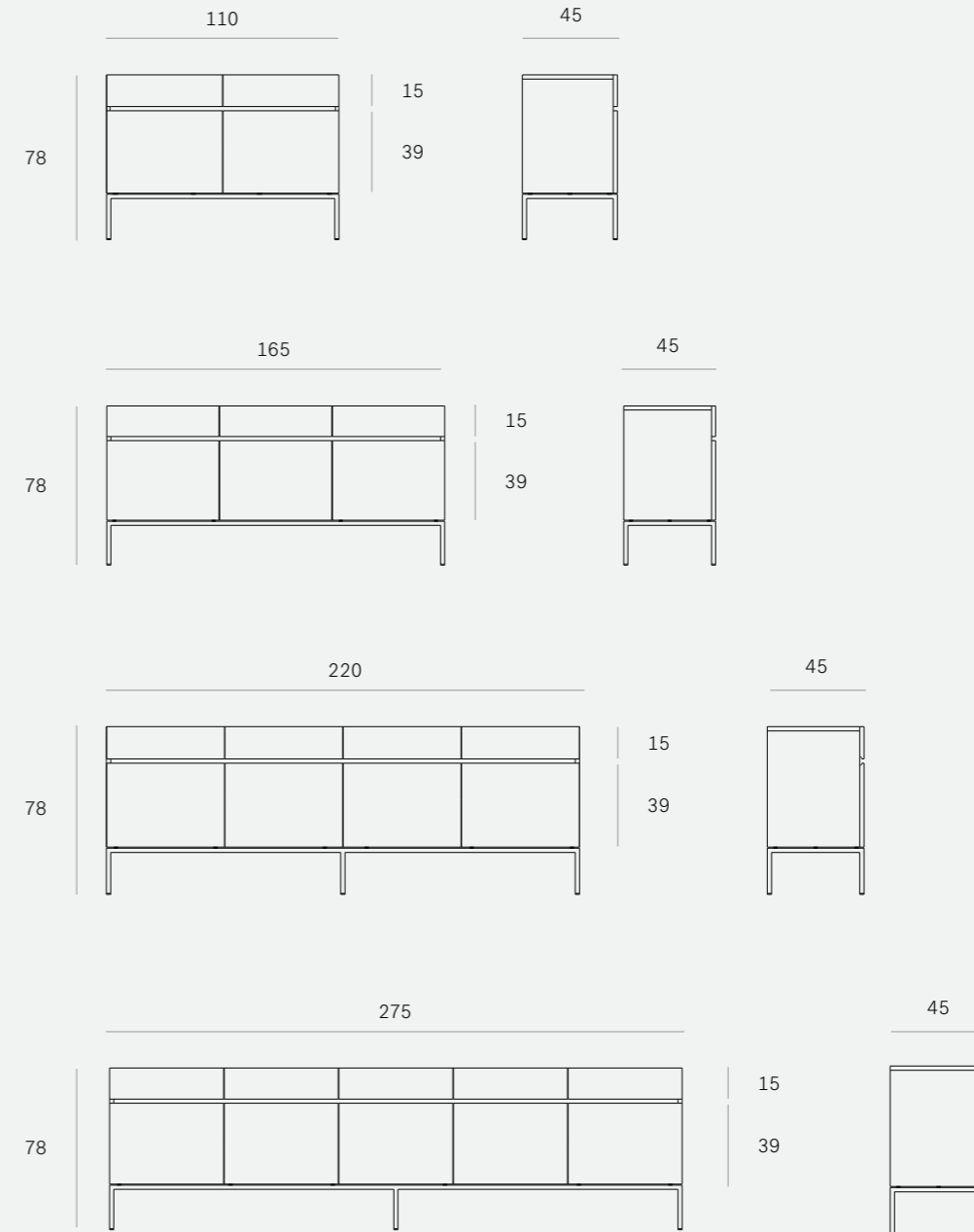
50951 220 x 45 x 78 CM

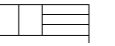


LIGNA SIDEBOARD - OAK ●◎ 100%
5 DOORS, 5 DRAWERS, STAINLESS STEEL LEGS

50952 275 x 45 x 78 CM

DIMENSIONS (CM)





LIGNA SIDEBOARD HIGH - OAK ● © 100%
4 DOORS, STAINLESS STEEL LEGS

50953 221 x 45 x 120 CM



ESSENTIAL SIDEBOARD - TEAK ● FSC 100%
3 DOORS, STAINLESS STEEL LEGS

15301 147 x 47 x 85 CM



ESSENTIAL SIDEBOARD - TEAK ● FSC 100%
4 DOORS, STAINLESS STEEL LEGS

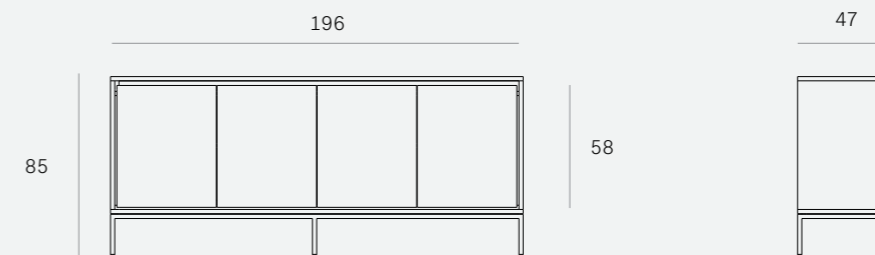
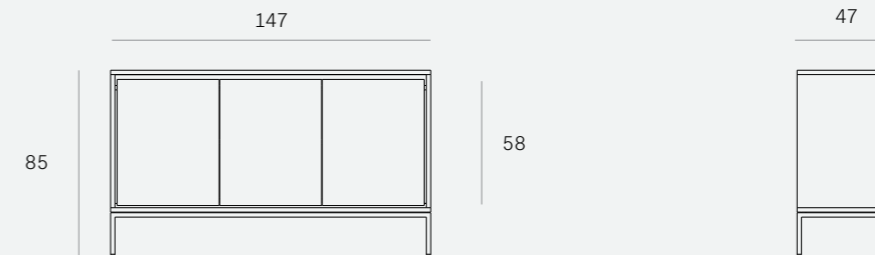
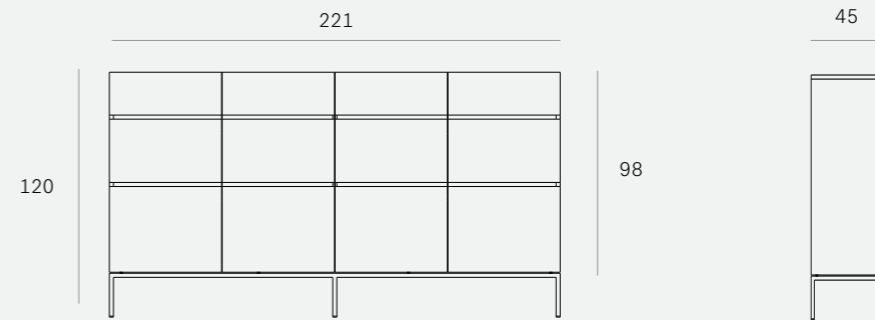
15303 196 x 47 x 85 CM

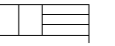


ESSENTIAL SIDEBOARD - TEAK ● FSC 100%
5 DOORS, STAINLESS STEEL LEGS

15305 245 x 47 x 85 CM

DIMENSIONS (CM)





NORDIC SIDEBOARD - OAK ● © 100%
2 DOORS

51436 80 x 40 x 78 CM



NORDIC SIDEBOARD - OAK ● © 100%
3 DOORS

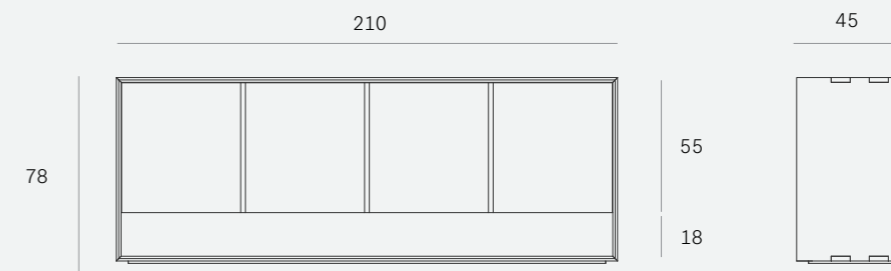
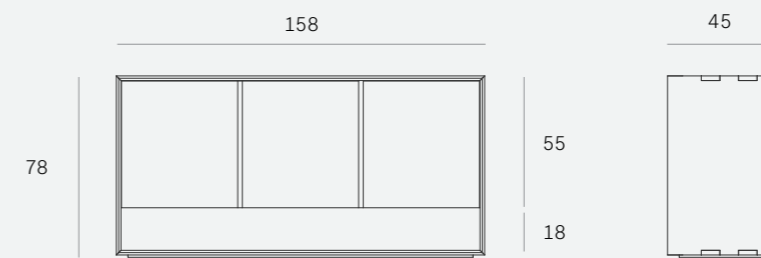
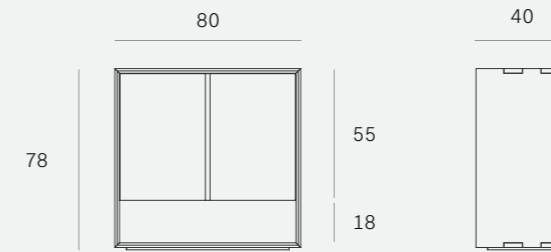
51437 158 x 45 x 78 CM

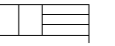


NORDIC SIDEBOARD - OAK ● © 100%
4 DOORS

51438 210 x 45 x 78 CM

DIMENSIONS (CM)





PURE SIDEBOARD - OAK ● © 100%
2 SLIDING DOORS

51160 150 x 47 x 80 CM



PURE SIDEBOARD - OAK ● © 100%
3 SLIDING DOORS

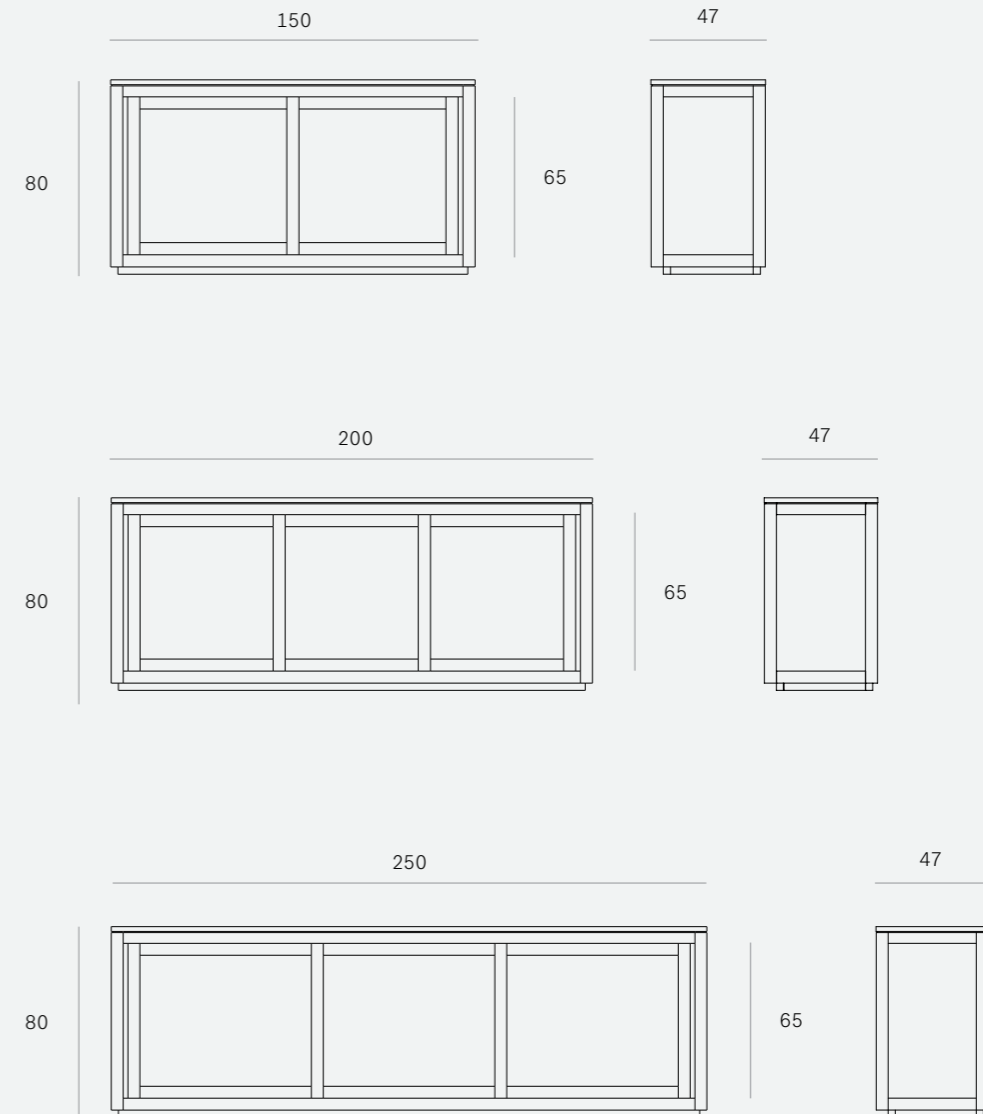
51162 200 x 47 x 80 CM



PURE SIDEBOARD - OAK ● © 100%
3 SLIDING DOORS

51164 250 x 47 x 80 CM

DIMENSIONS (CM)





ELEMENTAL SIDEBOARD -
TEAK ● FSC 100%
3 DOORS, 3 DRAWERS

10324 157 x 45 x 85 CM



ELEMENTAL SIDEBOARD -
TEAK ● FSC 100%
4 DOORS, 2 DRAWERS

10325 207 x 45 x 85 CM



ELEMENTAL SIDEBOARD -
TEAK ● FSC 100%
5 DOORS, 3 DRAWERS

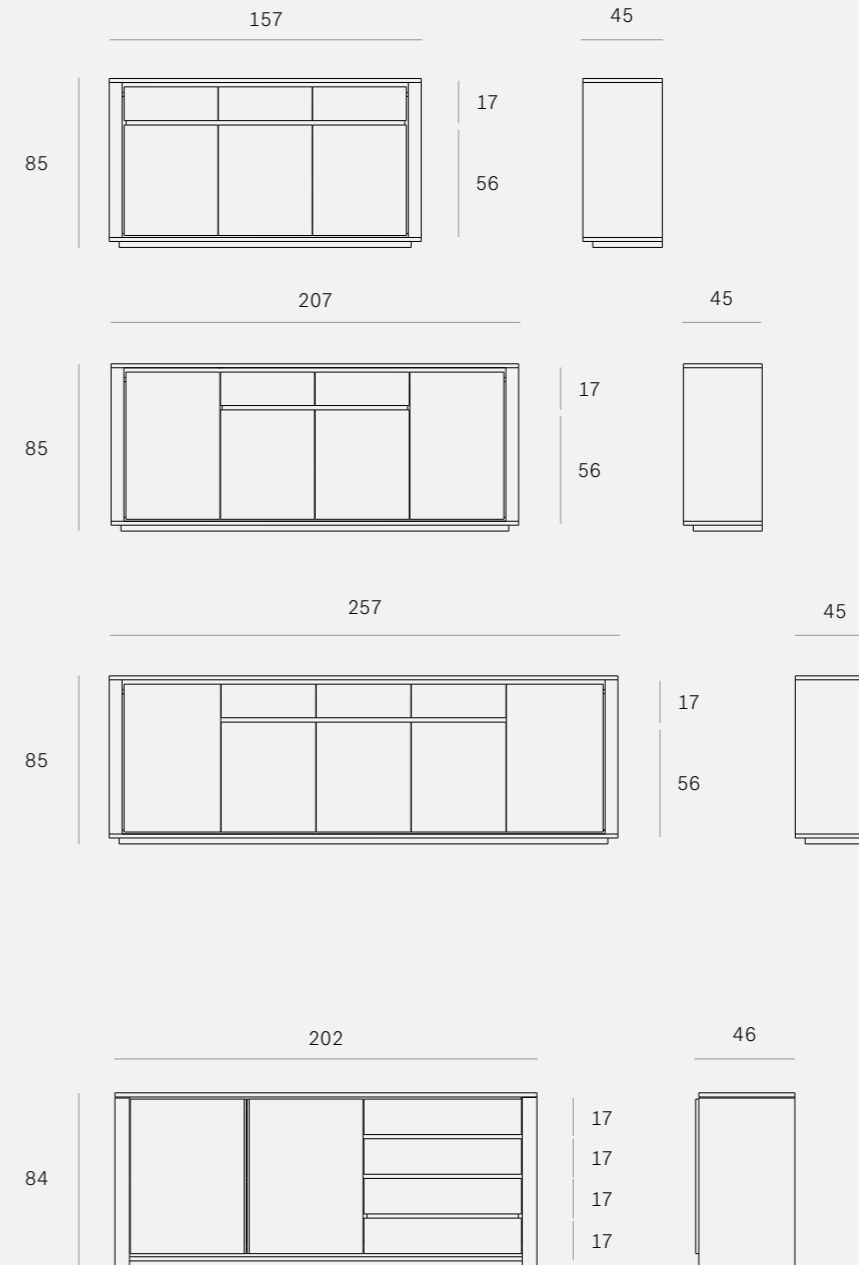
10326 257 x 45 x 85 CM



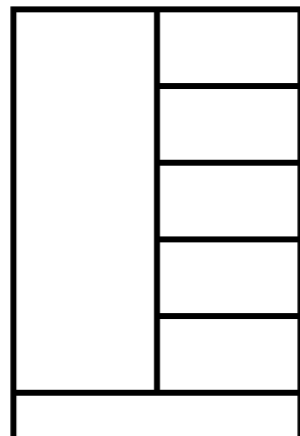
LODGE SIDEBOARD -
TEAK ● 100%
2 DOORS, 3 DRAWERS

15336 202 x 46 x 84 CM

DIMENSIONS (CM)



CUPBOARDS



Our cupboards provide a maximum of storage space without being obtrusive. A fascinating interplay of lines make them extremely decorative.





WHITEBIRD STORAGE CUPBOARD -
OAK ● (V) 100%
1 DOOR, 1 DRAWER, BLACK METAL LEGS

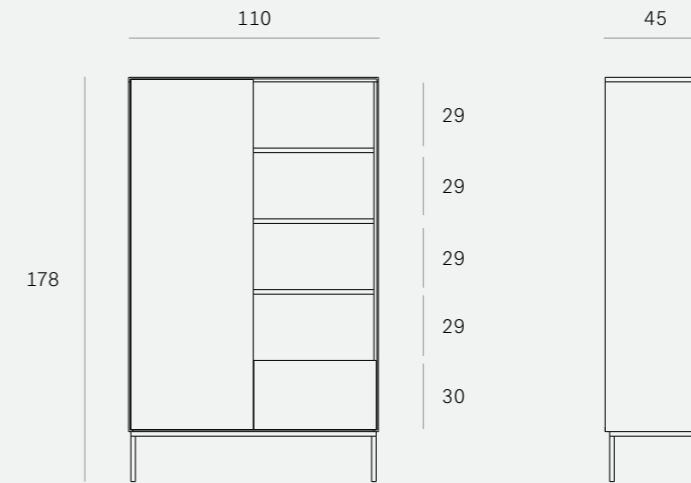
51469 110 x 45 x 178 CM



BLACKBIRD STORAGE CUPBOARD -
OAK & OAK BLACK ● (V) (B) 100%
1 DOOR, 1 DRAWER, BLACK METAL LEGS

51470 110 x 45 x 178 CM

DIMENSIONS (CM)





CELL UNIT STORAGE CUPBOARD -
OAK ● © 100% **NEW**
2 DOORS, BLACK METAL

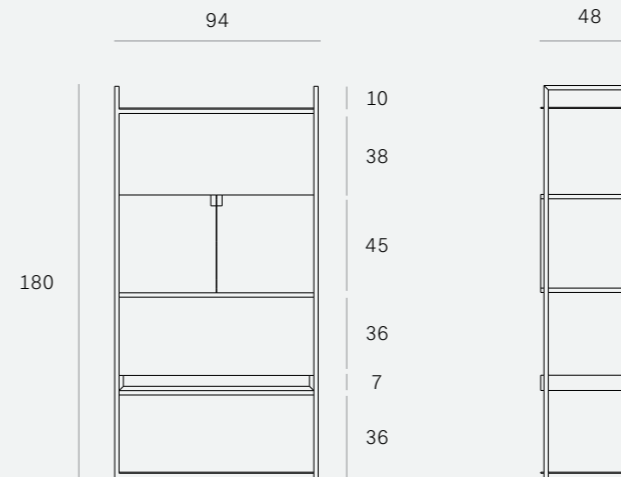
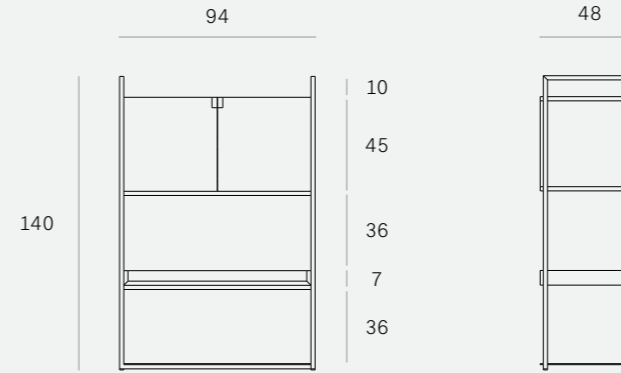
50166 94 x 48 x 140 CM



CELL UNIT STORAGE CUPBOARD -
OAK ● © 100% **NEW**
2 DOORS, BLACK METAL

50167 94 x 48 x 180 CM

DIMENSIONS (CM)





WAVE BOOK RACK - OAK ● © 100%
2 SLIDING GLASS DOORS, 2 DRAWERS

51455 110 x 46 x 183 CM



WAVE BOOK RACK - TEAK ● FSC 100%
2 SLIDING GLASS DOORS, 2 DRAWERS

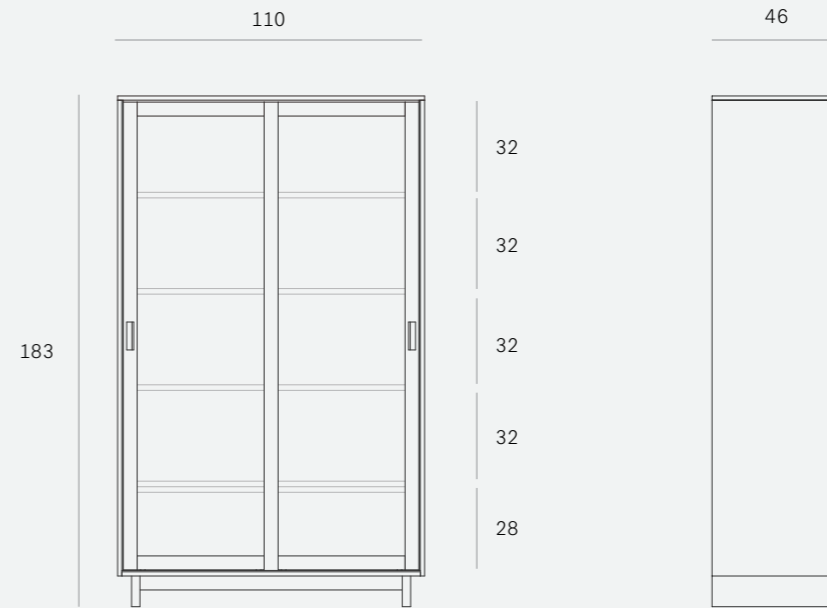
11455 110 x 46 x 183 CM



WAVE BOOK RACK - WALNUT ● © 100%
2 SLIDING GLASS DOORS, 2 DRAWERS

41455 110 x 46 x 183 CM

DIMENSIONS (CM)





NORDIC BOOK RACK - OAK ● © 100%
6 SLIDING DOORS

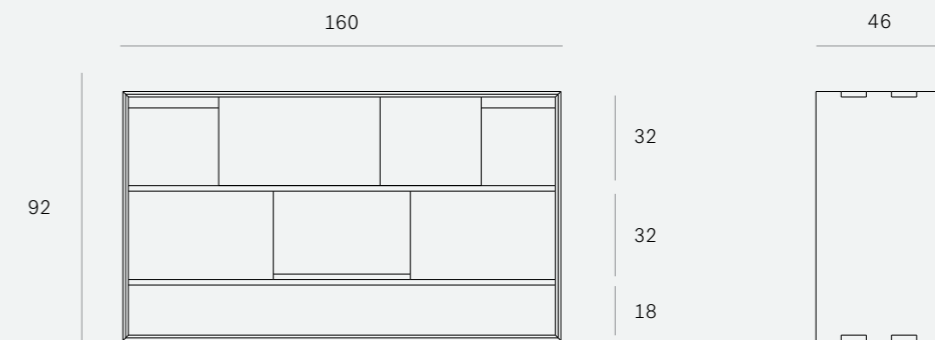
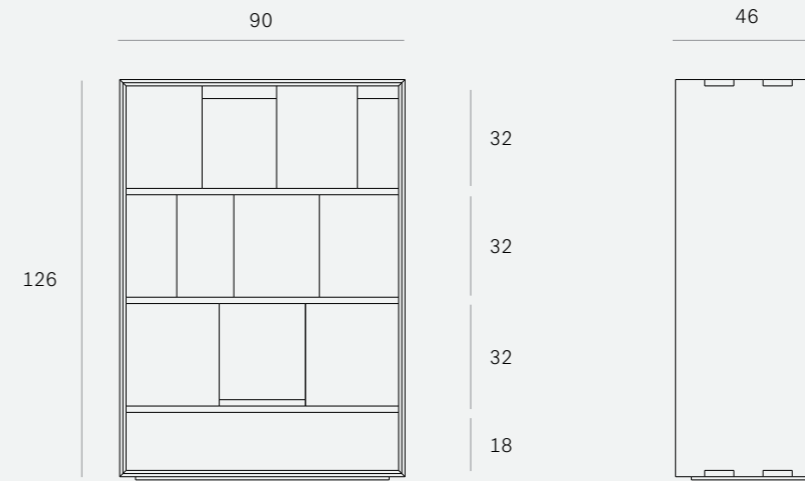
51448 90 x 46 x 126 CM



NORDIC BOOK RACK - OAK ● © 100%
4 SLIDING DOORS

51443 160 x 46 x 92 CM

DIMENSIONS (CM)





SHADOW STORAGE CUPBOARD -
OAK ● © 100%
4 DOORS

51374 115 x 45 x 160 CM



BURGER STORAGE CUPBOARD -
OAK ● © 100%
4 PUSH OPEN DOORS, 2 DRAWERS

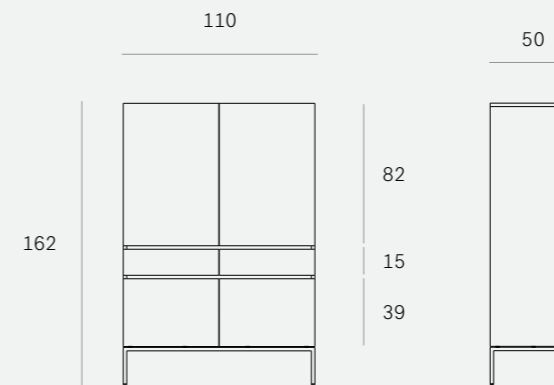
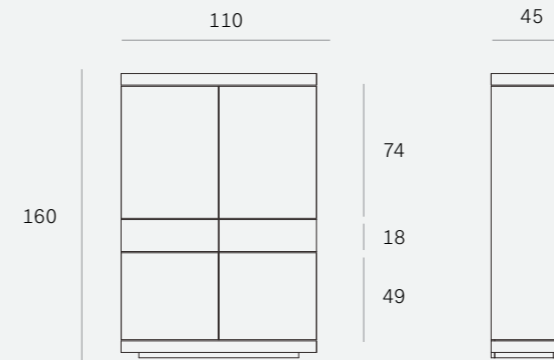
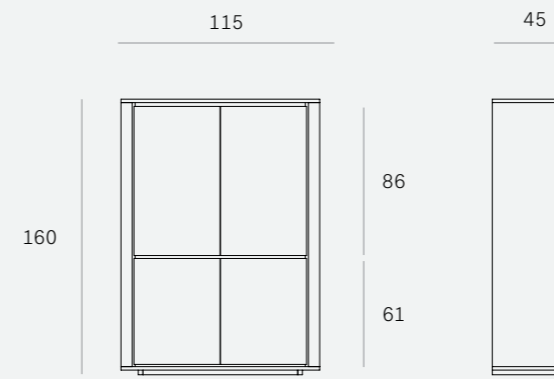
51396 110 x 45 x 160 CM



LIGNA STORAGE CUPBOARD -
OAK ● © 100%
4 DOORS, 2 DRAWERS, STAINLESS STEEL LEGS

50954 110 x 50 x 162 CM

DIMENSIONS (CM)





PURE TOP - OAK ● 100%
2 SLIDING GLASS DOORS

51161 150 x 38 x 140 CM



PURE SIDEBOARD - OAK ● 100%
2 SLIDING DOORS

51160 150 x 47 x 80 CM

PURE TOP - OAK ● 100%
3 SLIDING GLASS DOORS

51163 200 x 38 x 140 CM
51165 250 x 38 x 140 CM

PURE SIDEBOARD - OAK ● 100%
3 SLIDING DOORS

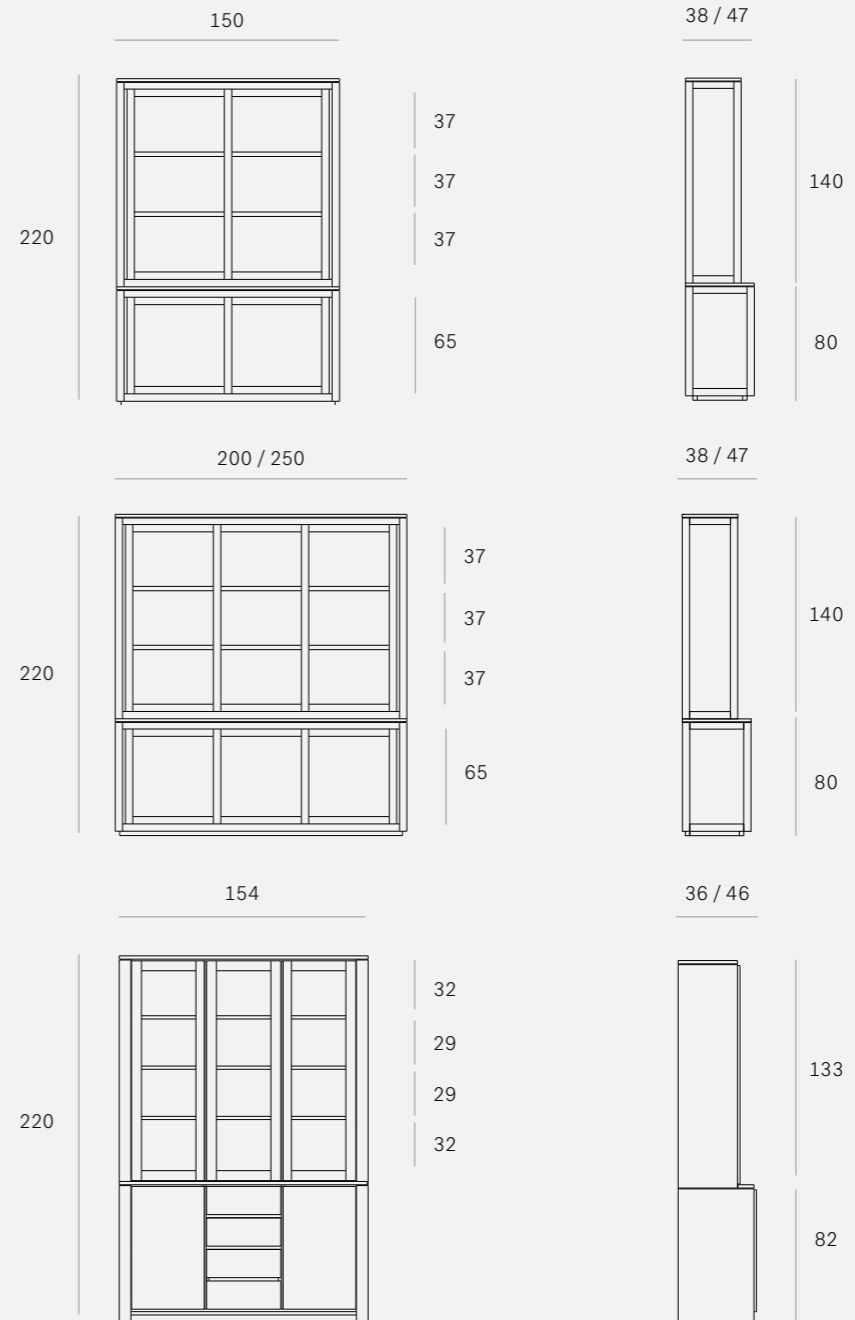
51162 200 x 47 x 80 CM
51164 250 x 47 x 80 CM



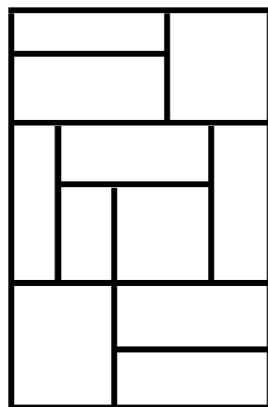
LODGE CUPBOARD - TEAK ● 100%
3 GLASS DOORS, 2 DOORS, 3 DRAWERS

15344 154 x 36/46 x 220 CM

DIMENSIONS (CM)

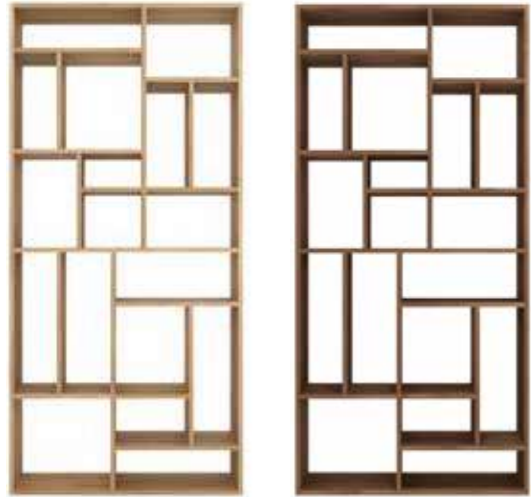


SHELVES



*Our shelves are much more than practical storage units:
they form an aesthetic framework for beloved objects and books.*



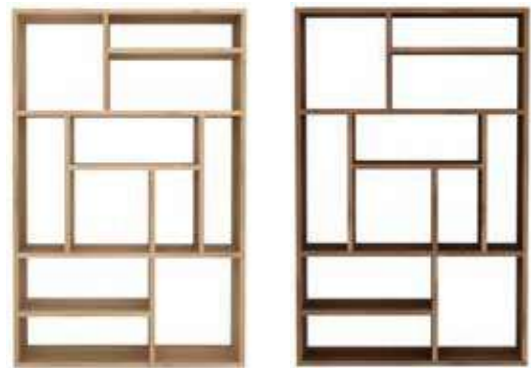


M RACK - OAK ● © 100%

50771 104 x 30 x 219 cm

M RACK - TEAK ● FSC 100%

14201 104 x 30 x 219 cm



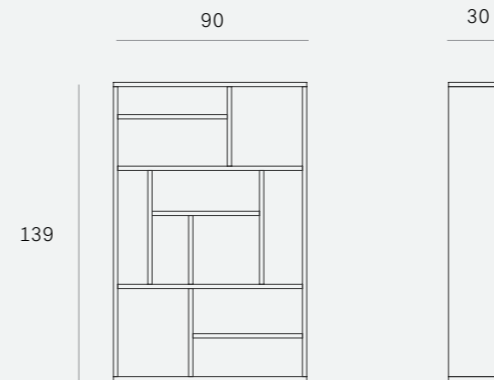
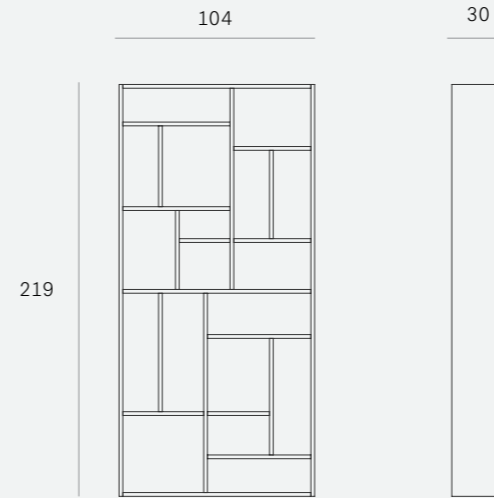
M RACK SMALL - OAK ● © 100%

50772 90 x 30 x 139 cm

M RACK SMALL - TEAK ● FSC 100%

14202 90 x 30 x 139 cm

DIMENSIONS (CM)





Z RACK - OAK ● © 100%

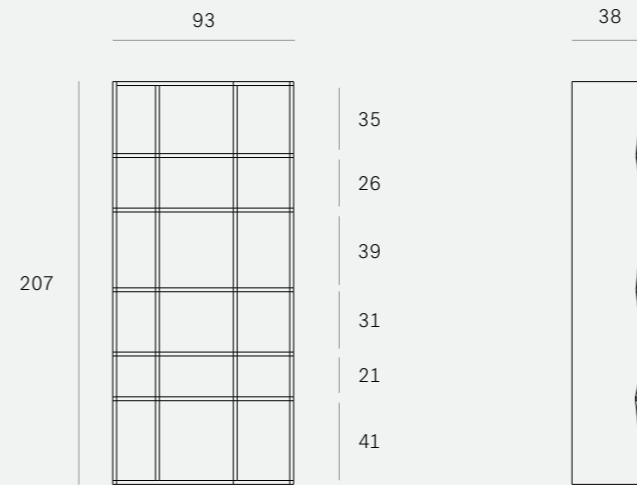
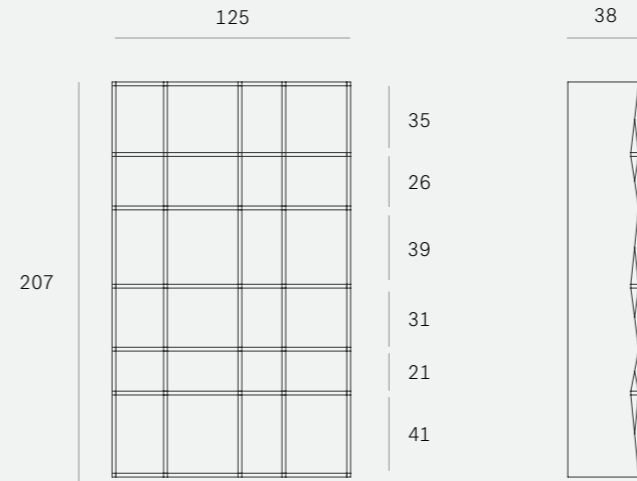
50778 125 x 38 x 207



Z RACK SMALL - OAK ● © 100%

50779 93 x 38 x 207 cm

DIMENSIONS (CM)





MOZAIC RACK - OAK ● © 100%

50774 100 x 34 x 201 cm

MOZAIC RACK - TEAK ● FSC 100%

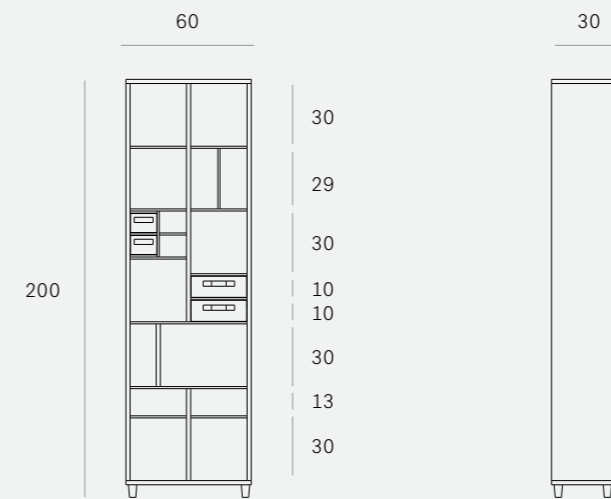
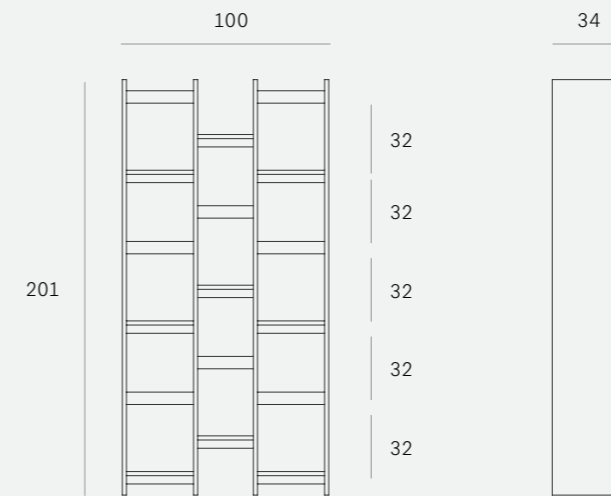
14203 100 x 34 x 201 cm



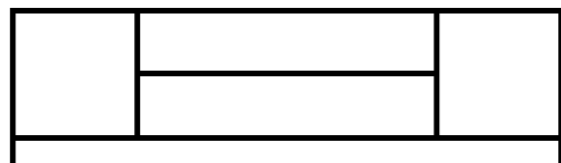
PIROUETTE BOOK RACK - OAK ● © 100%

45016 60 x 30 x 200 cm

DIMENSIONS (CM)



TV CUPBOARDS



*With their clean lines and well-balanced volume
our tv cupboards add style to any room.
Some of them are sturdy enough to be used as a bench too.*





WHITEBIRD TV CUPBOARD - OAK ● (V) 100%
1 DOOR, 1 FLIP-DOWN DOOR, 2 DRAWERS,
BLACK METAL LEGS

51466 180 x 45 x 61 CM



BLACKBIRD TV CUPBOARD - OAK & OAK BLACK ● (V) (B) 100%
1 DOOR, 1 FLIP-DOWN DOOR, 2 DRAWERS,
BLACK METAL LEGS

51473 180 x 45 x 61 CM



MONOLIT TV CUPBOARD - OAK ● (C) FSC 100%
1 DRAWER, 1 FLIP-DOWN DOOR, WHITE METAL

26877 140 x 45 x 42 CM



MONOLIT TV CUPBOARD - OAK ● (C) FSC 100%
1 DRAWER, 1 FLIP-DOWN DOOR, BLACK METAL

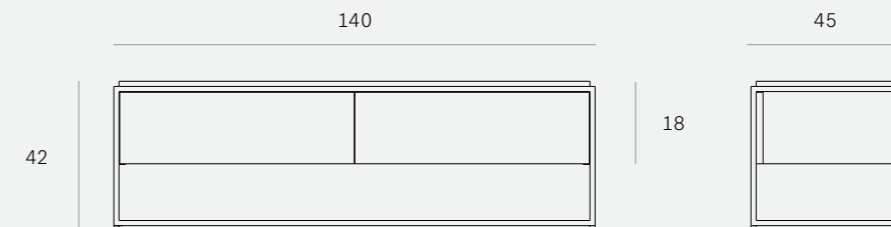
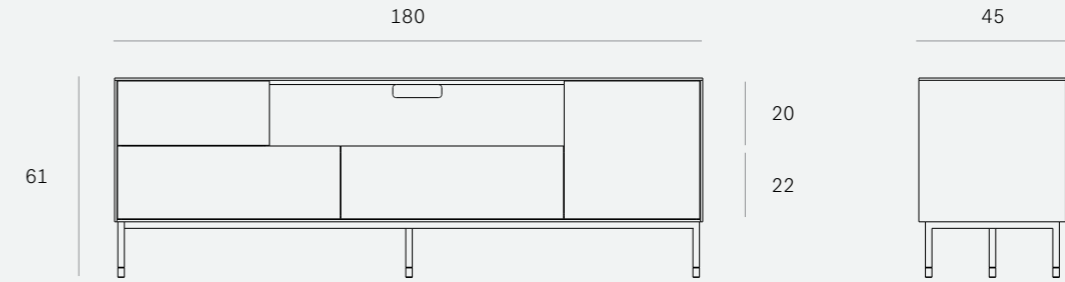
26878 140 x 45 x 42 CM



MONOLIT TV CUPBOARD - OAK BLACK ● (V) (B) FSC 100%
1 DRAWER, 1 FLIP-DOWN DOOR, BLACK METAL

26879 140 x 45 x 42 CM

DIMENSIONS (CM)





WAVE TV CUPBOARD -
OAK ● © 100%
1 DOOR, 1 FLIP-DOWN DOOR, 1 DRAWER

51452 127 x 46 x 60 CM



WAVE TV CUPBOARD -
OAK ● © 100%
2 DOORS, 1 FLIP-DOWN DOOR, 1 DRAWER

51453 210 x 46 x 60 CM



WAVE TV CUPBOARD -
TEAK ● FSC 100%
2 DOORS, 1 FLIP-DOWN DOOR, 1 DRAWER

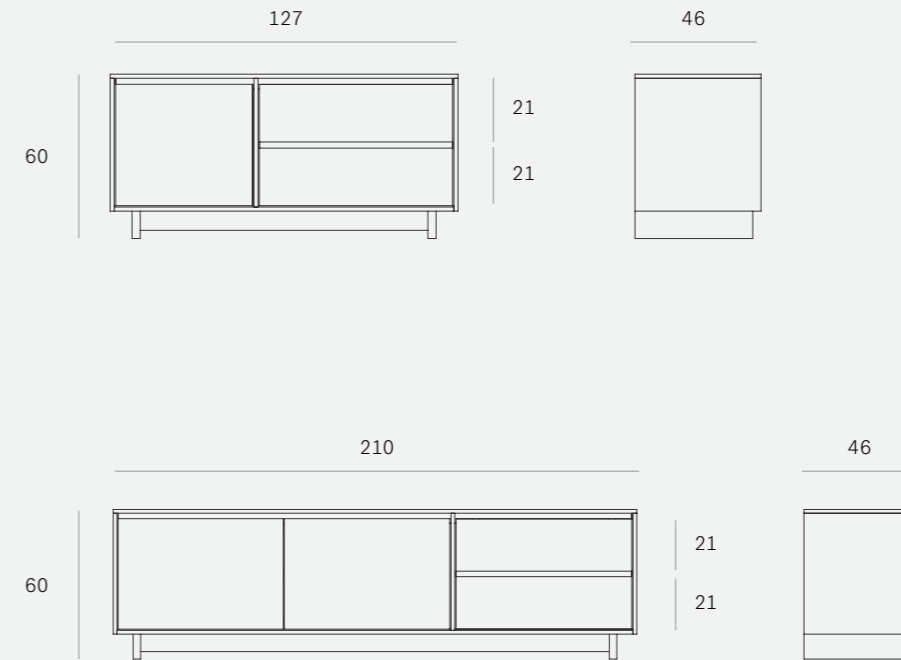
11453 210 x 46 x 60 CM



WAVE TV CUPBOARD -
WALNUT ● © 100%
2 DOORS, 1 FLIP-DOWN DOOR, 1 DRAWER

41453 210 x 46 x 60 CM

DIMENSIONS (CM)





SHADOW TV CUPBOARD -
OAK ● © 100%
2 DRAWERS

51375 140 x 46 x 42 CM



SHADOW TV CUPBOARD -
OAK ● © 100%
3 DRAWERS

51376 210 x 46 x 42 CM



LIGNA TV CUPBOARD -
OAK ● © 100%
2 DRAWERS, STAINLESS STEEL LEGS

50955 140 x 45 x 52 CM



LIGNA TV CUPBOARD -
OAK ● © 100%
3 DRAWERS, STAINLESS STEEL LEGS

50956 210 x 45 x 52 CM



ESSENTIAL TV CUPBOARD -
TEAK ● FSC 100%
1 DRAWER, STAINLESS STEEL LEGS

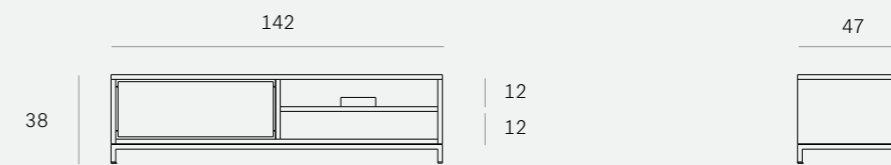
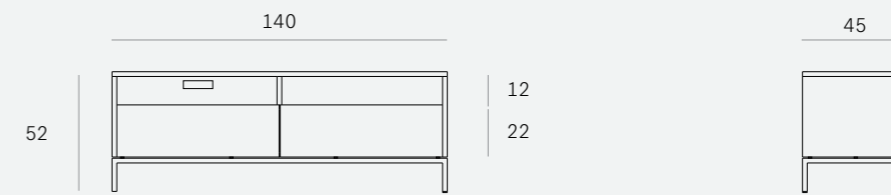
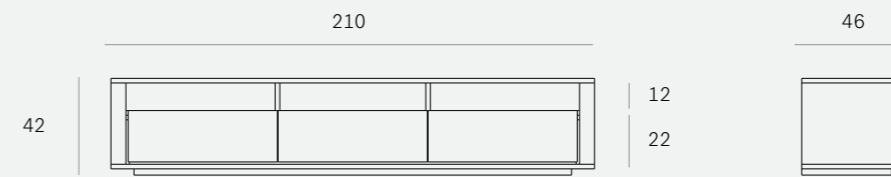
15307 142 x 47 x 38 CM



ESSENTIAL TV CUPBOARD -
TEAK ● FSC 100%
2 DRAWERS, STAINLESS STEEL LEGS

15309 209 x 47 x 38 CM

DIMENSIONS (CM)





NORDIC TV CUPBOARD - OAK ● ◎ 100%

1 FLIP-DOWN DOOR, 1 DRAWER

51439 120 x 46 x 45 CM

NORDIC TV CUPBOARD - WALNUT ● ◎ 100%

1 FLIP-DOWN DOOR, 1 DRAWER

41439 120 x 46 x 45 CM



NORDIC TV CUPBOARD - OAK ● ◎ 100%

1 FLIP-DOWN DOOR, 1 DRAWER

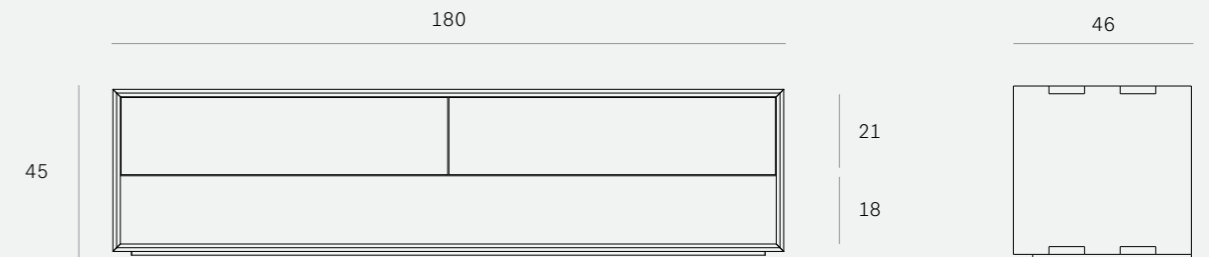
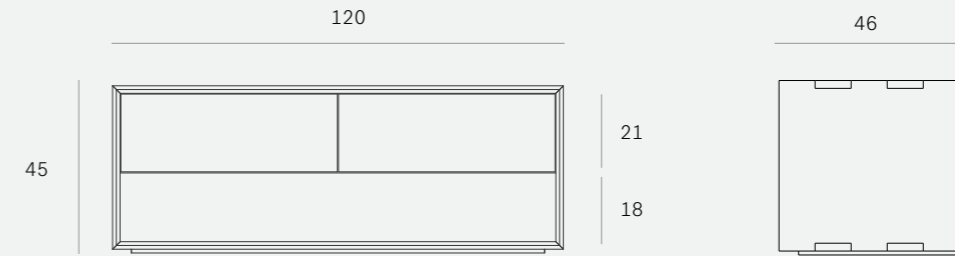
51440 180 x 46 x 45 CM

NORDIC TV CUPBOARD - WALNUT ● ◎ 100%

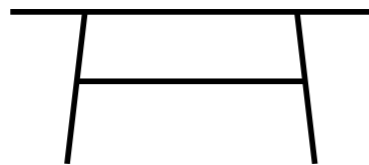
1 FLIP-DOWN DOOR, 1 DRAWER

41440 180 x 46 x 45 CM

DIMENSIONS (CM)



COFFEE TABLES



*Quirky, elegant or serious and decisive:
with different shapes and sizes,
we elevate the coffee table to a starring role.*





OSSO COFFEE TABLE -
WALNUT ● 100%

43028 100 x 100 x 35 CM



TRIPOD COFFEE TABLE -
OAK ● 100%

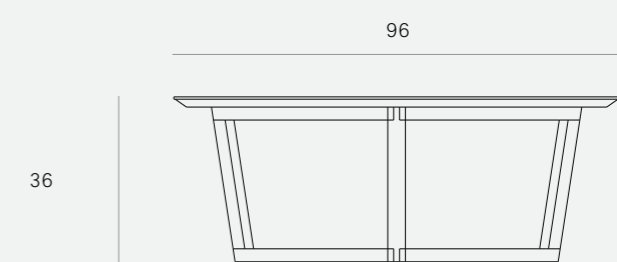
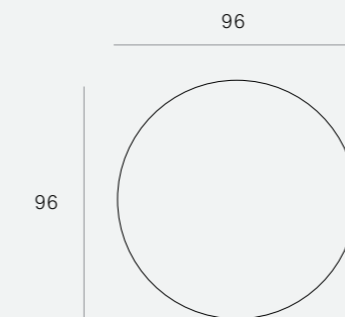
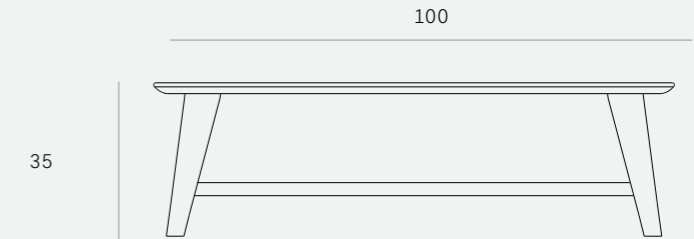
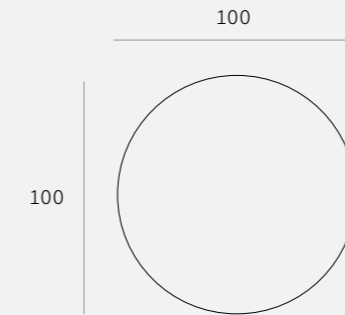
50530 96 x 96 x 36 CM

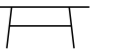


TRIPOD COFFEE TABLE -
WALNUT ● 100%

44215 96 x 96 x 36 CM

DIMENSIONS (CM)





DISC COFFEE TABLE -
OAK ●◎ FSC 100%
BLACK METAL LEGS

26607 80 x 80 x 35 CM



ORB COFFEE TABLE -
OAK ●◎ FSC 100%
BLACK METAL LEGS

26686 130 x 60 x 40 CM



MOON COFFEE TABLE -
OAK ●◎ FSC 100%
WHITE METAL

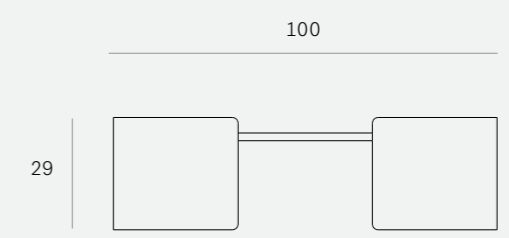
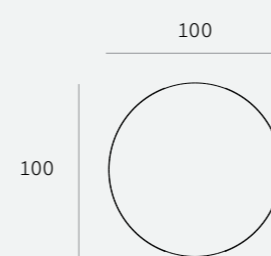
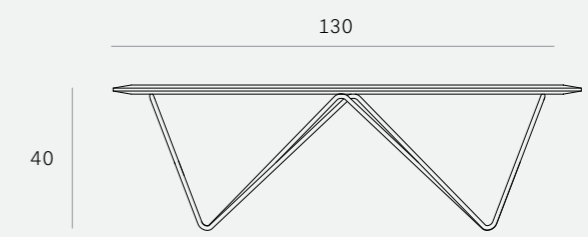
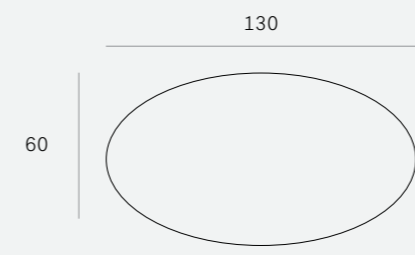
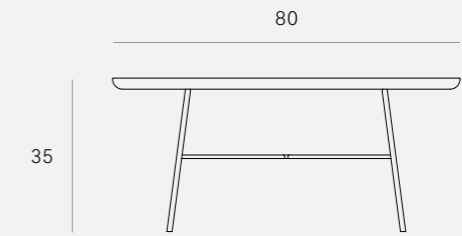
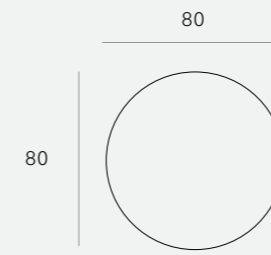
26061 100 x 100 x 29 CM

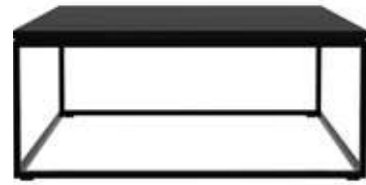
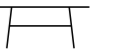


MOON COFFEE TABLE -
OAK ●◎ FSC 100%
DARK GREY METAL

26062 100 x 100 x 29 CM

DIMENSIONS (CM)





THIN COFFEE TABLE -
OAK BLACK ● (V) (B) 100%
BLACK METAL FRAME

50520 70 x 70 x 30 CM



THIN COFFEE TABLE -
OAK ● (V) 100%
STAINLESS STEEL FRAME

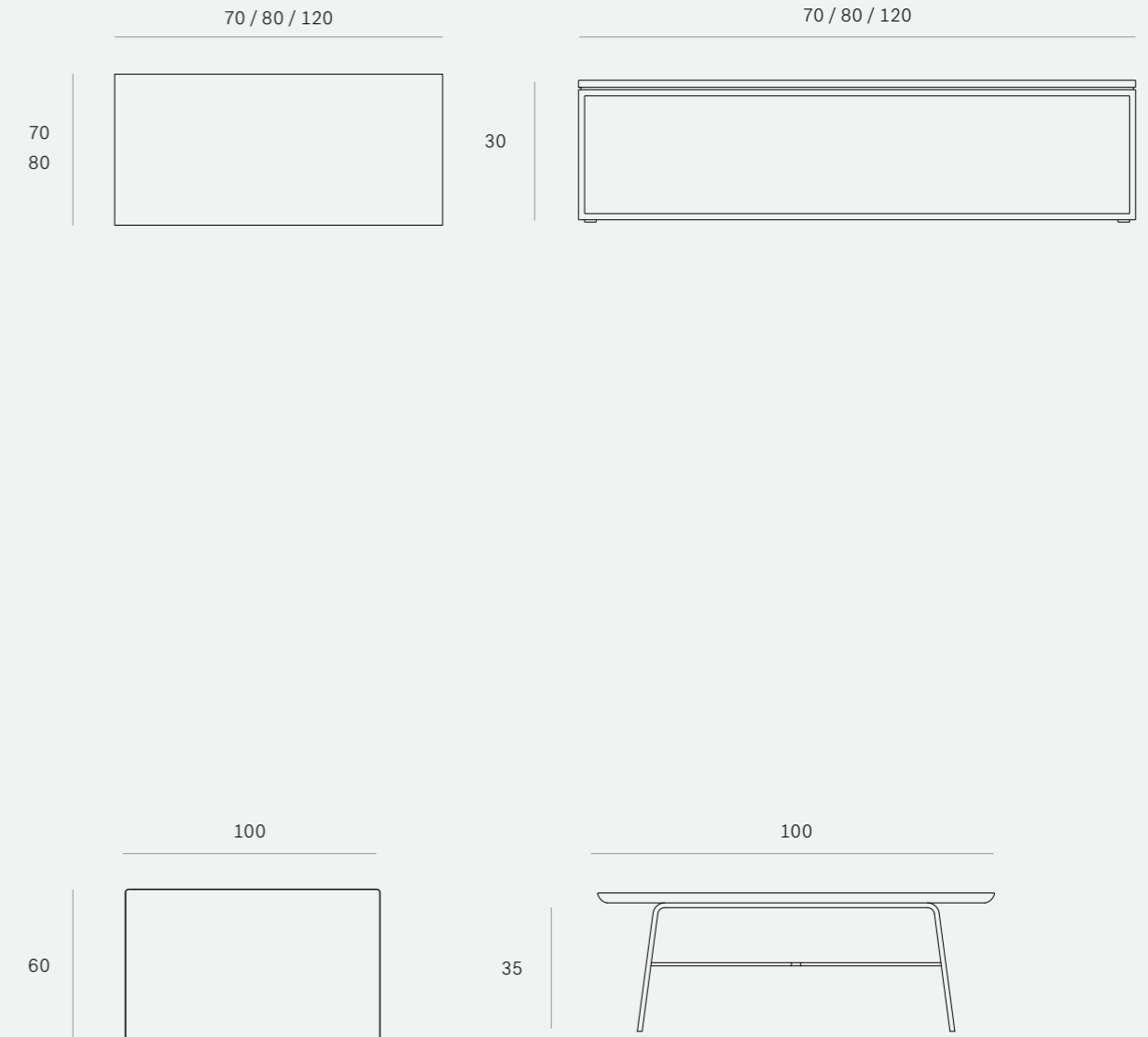
50524 80 x 80 x 30 CM
50525 120 x 70 x 30 CM



DISC COFFEE TABLE -
OAK ● (C) FSC 100%
BLACK METAL LEGS

26608 100 x 60 x 35 CM

DIMENSIONS (CM)





RISE COFFEE TABLE -
OAK ● 100% **NEW**
BLACK METAL LEGS

50135 150 x 60 x 37 CM



RISE COFFEE TABLE -
WALNUT ● 100% **NEW**
BLACK METAL LEGS

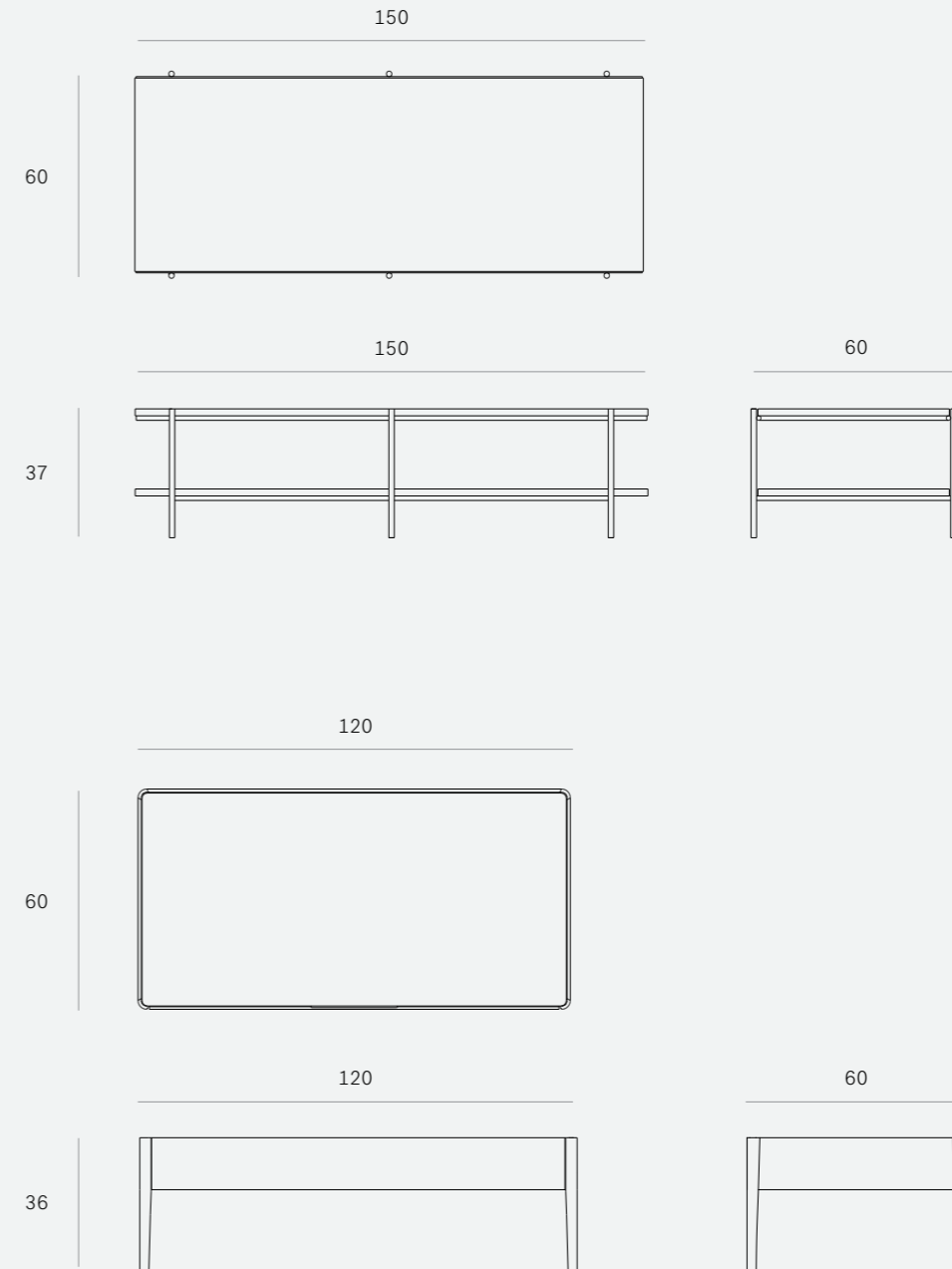
40129 150 x 60 x 37 CM

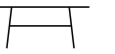


WINDOW COFFEE TABLE -
OAK ● 100%
1 FLIP-DOWN DOOR, TEMPERED GLASS TOP,
OAK BLACK LEGS

51427 120 x 60 x 36 CM

DIMENSIONS (CM)





SIMPLE COFFEE TABLE -
OAK ● © 100%

- 51415 120 x 74 x 39 CM
- 51416 180 x 57 x 39 CM



NORDIC COFFEE TABLE -
OAK ● © 100%

1 DRAWER

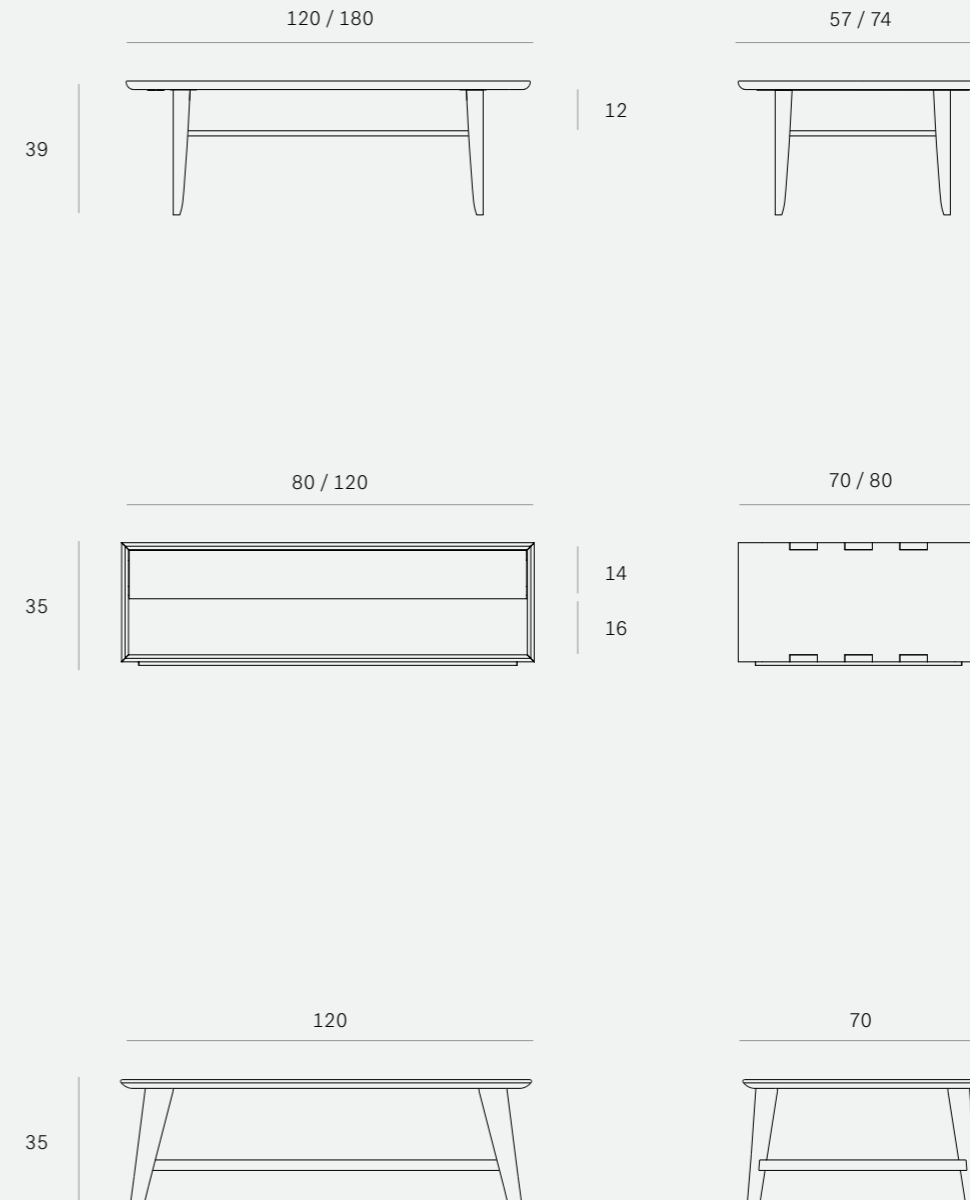
- 51445 120 x 70 x 35 CM
- 51446 80 x 80 x 35 CM



OSSO COFFEE TABLE -
WALNUT ● © 100%

- 43023 120 x 70 x 35 CM

DIMENSIONS (CM)





FLAT COFFEE TABLE -
OAK ● © 100%
2 DRAWERS

- 51095 110 x 110 x 37 CM
- 51096 130 x 80 x 37 CM



SHADOW COFFEE TABLE -
OAK ● © 100%
2 SLIDING DOORS

- 51383 120 x 70 x 33 CM



BURGER COFFEE TABLE - TEAK ●
2 DRAWERS

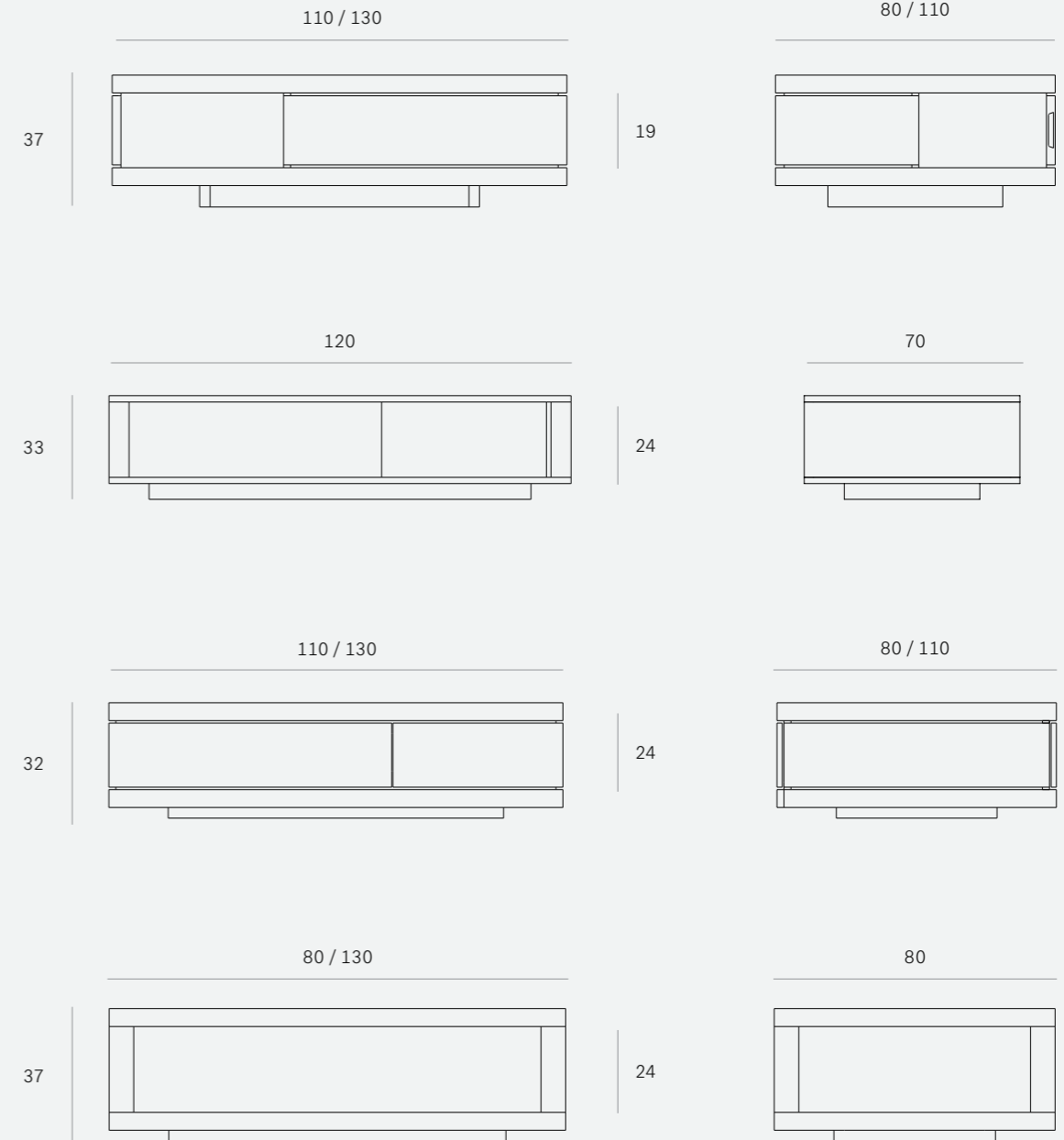
- 15328 130 x 80 x 32 CM
- 15329 110 x 110 x 32 CM



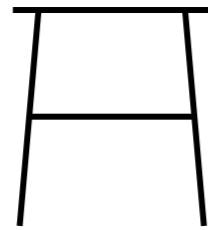
DUPLEX COFFEE TABLE - TEAK ●

- 13996 80 x 80 x 37 CM
- 13997 130 x 80 x 37 CM

DIMENSIONS (CM)



SIDE TABLES



*Our side tables are like so many things in life:
it's all in the detail. These compact, cleverly designed pieces
can be used in all sorts of interiors and situations.*





BOK SIDE TABLE - OAK ● ◎ 100%

51501 43 x 43 x 50 CM

BOK SIDE TABLE - OAK BLACK ● ▼ ⊕ 100%

51510 43 x 43 x 50 CM



TORSION SIDE TABLE - OAK BLACK ● ▼ ⊕ 100% **NEW**

50014 50 x 50 x 50 CM



TOTEM SIDE TABLE - TEAK BLACK ● ▼ ⊕ FSC 100% **NEW**

10786 50 x 50 x 49 CM



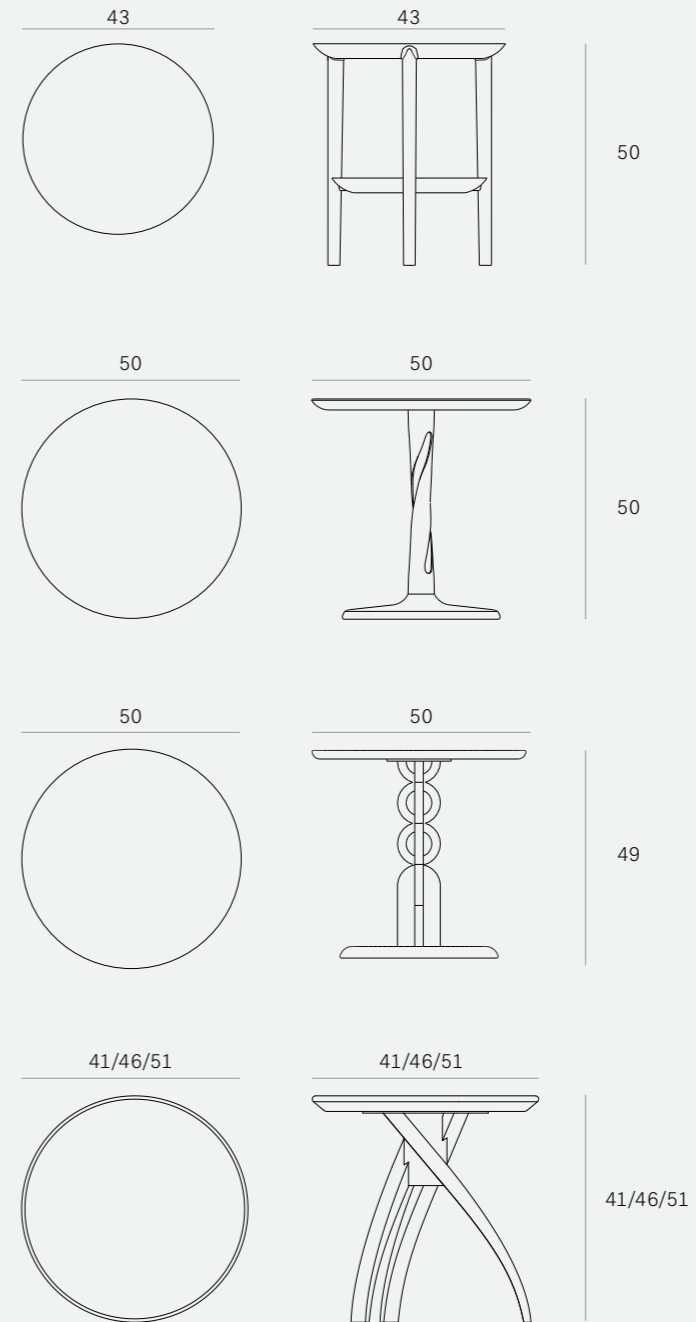
TWIST SIDE TABLE - OAK ● ◎ 100%

50556 41 x 41 x 41 CM

50557 46 x 46 x 46 CM

50558 51 x 51 x 51 CM

DIMENSIONS (CM)





TRIPOD SIDE TABLE -
OAK ● (V) 100%

50508 46 × 46 × 56 CM



TRIPOD SIDE TABLE -
OAK BLACK ● (V) 100%

50527 46 × 46 × 56 CM

TRIPOD SIDE TABLE -
TEAK ● FSC 100%

14212 46 × 46 × 56 CM

TRIPOD SIDE TABLE -
WALNUT ● (O) 100%

44212 46 × 46 × 56 CM



TRIPOD SIDE TABLE LARGE -
OAK ● (V) 100%

50509 70 × 70 × 60 CM

TRIPOD SIDE TABLE LARGE -
OAK BLACK ● (V) 100%

50528 70 × 70 × 60 CM

TRIPOD SIDE TABLE LARGE -
TEAK ● FSC 100%

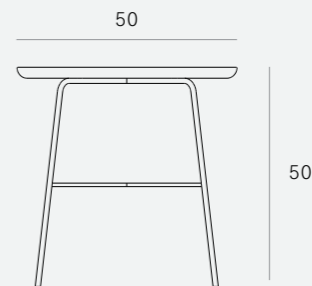
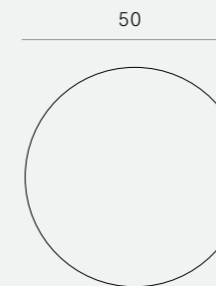
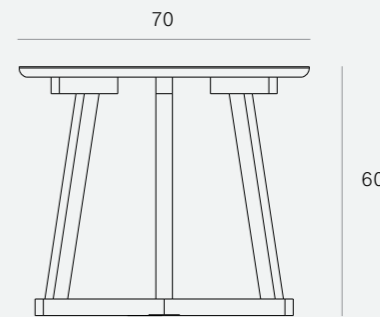
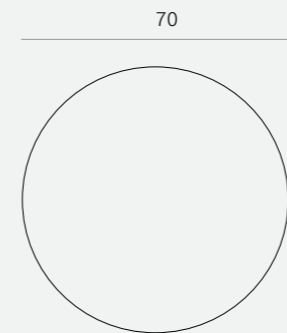
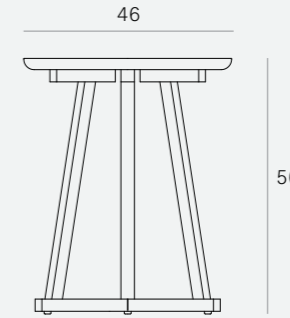
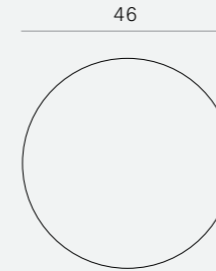
14213 70 × 70 × 60 CM



DISC SIDE TABLE -
OAK ● (O) FSC 100% **NEW**
BLACK METAL LEGS

26610 50 × 50 × 50 CM

DIMENSIONS (CM)





MONOLIT SIDE TABLE - OAK ● ◎ FSC 100%
WHITE METAL

26862 47 × 47 × 51 CM



MONOLIT SIDE TABLE - OAK ● ◎ FSC 100%
BLACK METAL

26863 47 × 47 × 51 CM

MONOLIT SIDE TABLE -
OAK BLACK ● ▼ ◎ FSC 100%
BLACK METAL

26864 47 × 47 × 51 CM

MONOLIT SIDE TABLE S - OAK ● ◎ FSC 100%
BLACK METAL, REMOVABLE COVER

26865 47 × 47 × 51 CM

MONOLIT SIDE TABLE S - OAK ● ◎ FSC 100%
WHITE METAL, REMOVABLE COVER

26858 47 × 47 × 51 CM

MONOLIT SIDE TABLE S -
OAK BLACK ● ▼ ◎ FSC 100%
BLACK METAL, REMOVABLE COVER

26866 47 × 47 × 51 CM



MONOLIT SIDE TABLE M -
OAK BLACK ● ▼ ◎ FSC 100%
BLACK METAL, REMOVABLE COVER

26875 47 × 47 × 51 CM

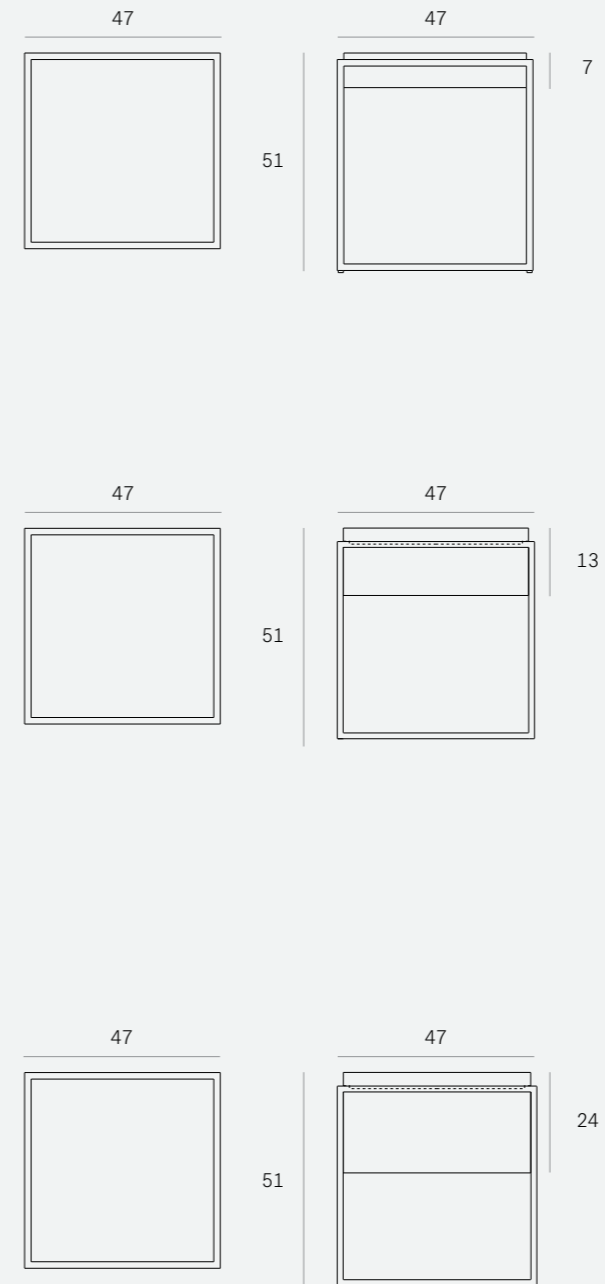
MONOLIT SIDE TABLE M - OAK ● ◎ FSC 100%
BLACK METAL, REMOVABLE COVER

26874 47 × 47 × 51 CM

MONOLIT SIDE TABLE M - OAK ● ◎ FSC 100%
WHITE METAL, REMOVABLE COVER

26867 47 × 47 × 51 CM

DIMENSIONS (CM)





DISC SIDE TABLE SQUARE -
OAK ● ◎ FSC 100% **NEW**
BLACK METAL LEGS

26609 45 × 45 × 50 CM



RISE SIDE TABLE -
OAK ● ▼ 100% **NEW**
BLACK METAL LEGS

50134 50 × 30 × 55 CM

RISE SIDE TABLE -
WALNUT ● ◎ 100% **NEW**
BLACK METAL LEGS

40128 50 × 30 × 55 CM



WINDOW SIDE TABLE - OAK ● ▼ 100%
1 FLIP-DOWN DOOR, TEMPERED GLASS TOP,
OAK BLACK LEGS

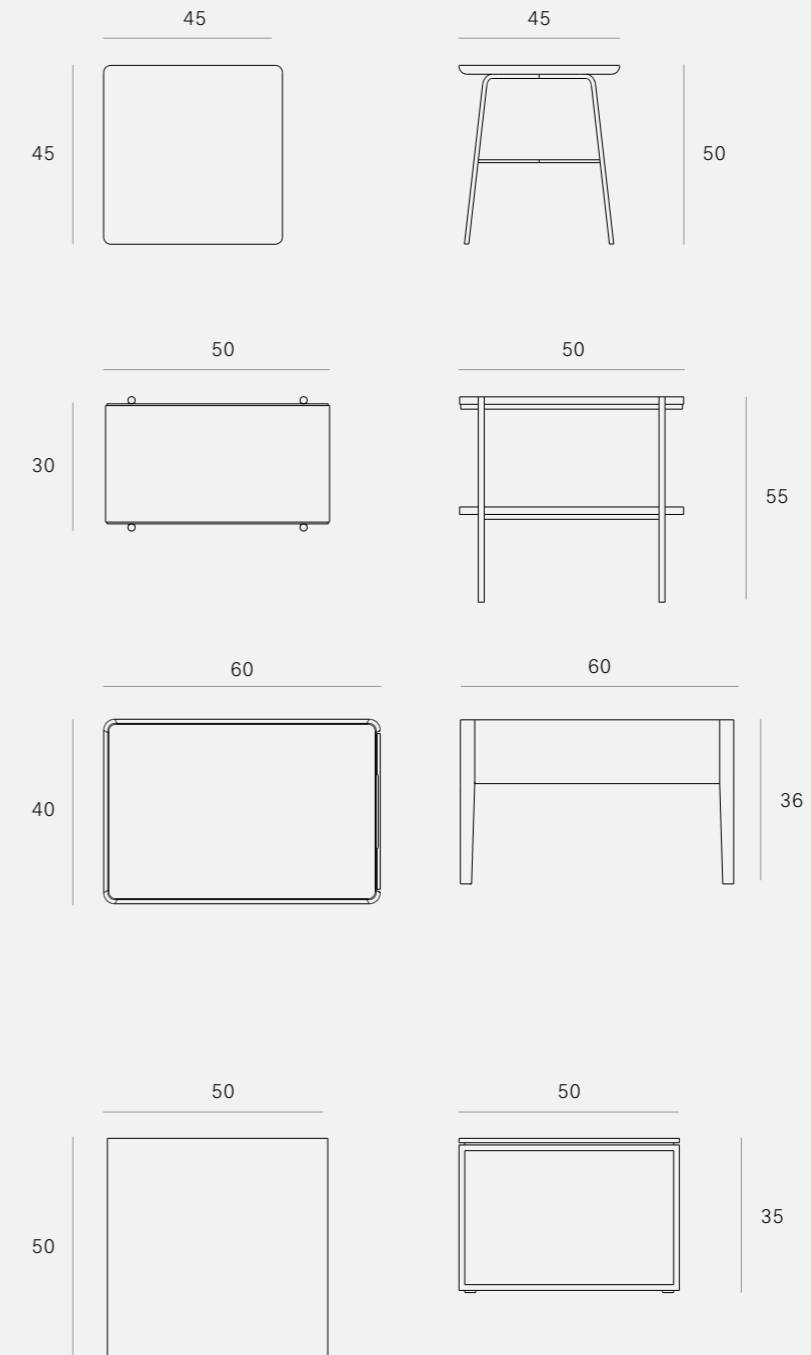
51428 40 × 60 × 36 CM



THIN SIDE TABLE - OAK ● ▼ 100%
STAINLESS STEEL FRAME

50526 50 × 50 × 35 CM

DIMENSIONS (CM)





SIMPLE SIDE TABLE - OAK ● ◎ 100%

51414 55 x 55 x 42 CM



FRAME SIDE TABLE - OAK ● ◎ 100%

50517 48 x 40 x 48 CM



NAOMI SIDE TABLE - OAK ● ◎ 100%

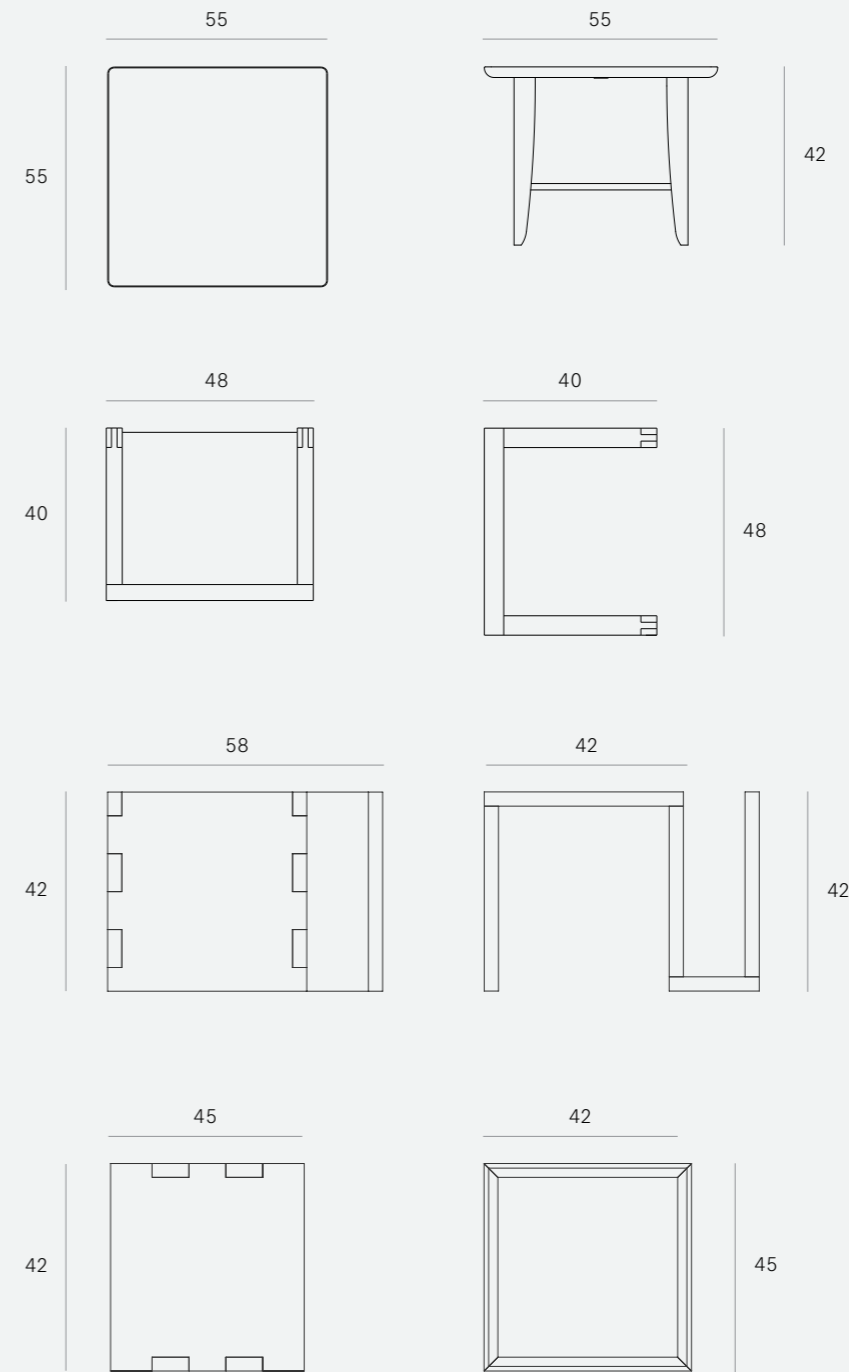
50539 58 x 42 x 42 CM



CUBE SIDE TABLE - OAK ● ◎ 100%

50646 45 x 42 x 45 CM

DIMENSIONS (CM)





BUTCHER STOOL - TEAK ●

13993 35 × 35 × 50 CM



POP LOW TABLE - TEAK ●

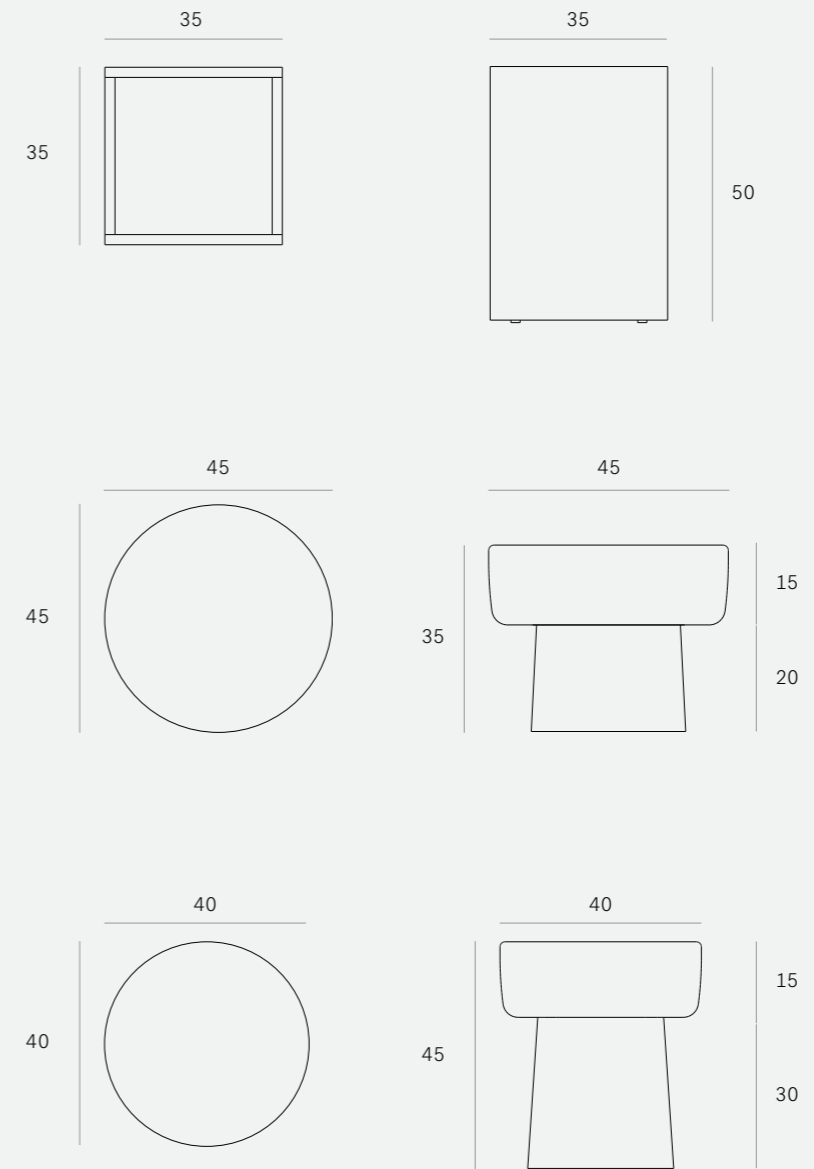
13990 45 × 45 × 35 CM



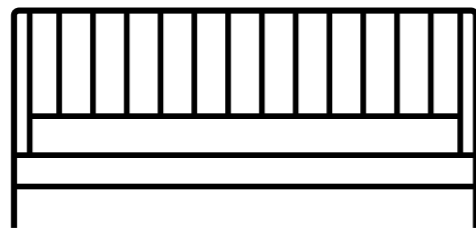
POP STOOL - TEAK ●

13991 40 × 40 × 45 CM

DIMENSIONS (CM)

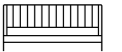


BEDS & BEDSIDE TABLES



Bedrooms should be calm, quiet places where you can relax after a long day at work. Our bedroom collections provide everything to turn this room into a sanctuary.





SPINDLE BED - OAK ● 100% **NEW**

WITHOUT SLATS, MATTRESS SIZE 160/200

51247 170 x 210 x 97 CM

WITHOUT SLATS, MATTRESS SIZE 180/200

51246 190 x 210 x 97 CM



SPINDLE BED - WALNUT ● 100%

WITHOUT SLATS, MATTRESS SIZE 160/200

45187 170 x 210 x 97 CM

WITHOUT SLATS, MATTRESS SIZE 180/200

45186 190 x 210 x 97 CM



AIR BED - OAK ● 100%

WITHOUT SLATS, MATTRESS SIZE 160/200

51212 180 x 232 x 96 CM

WITHOUT SLATS, MATTRESS SIZE 180/200

51211 200 x 232 x 96 CM



AIR BED - TEAK ● FSC 100%

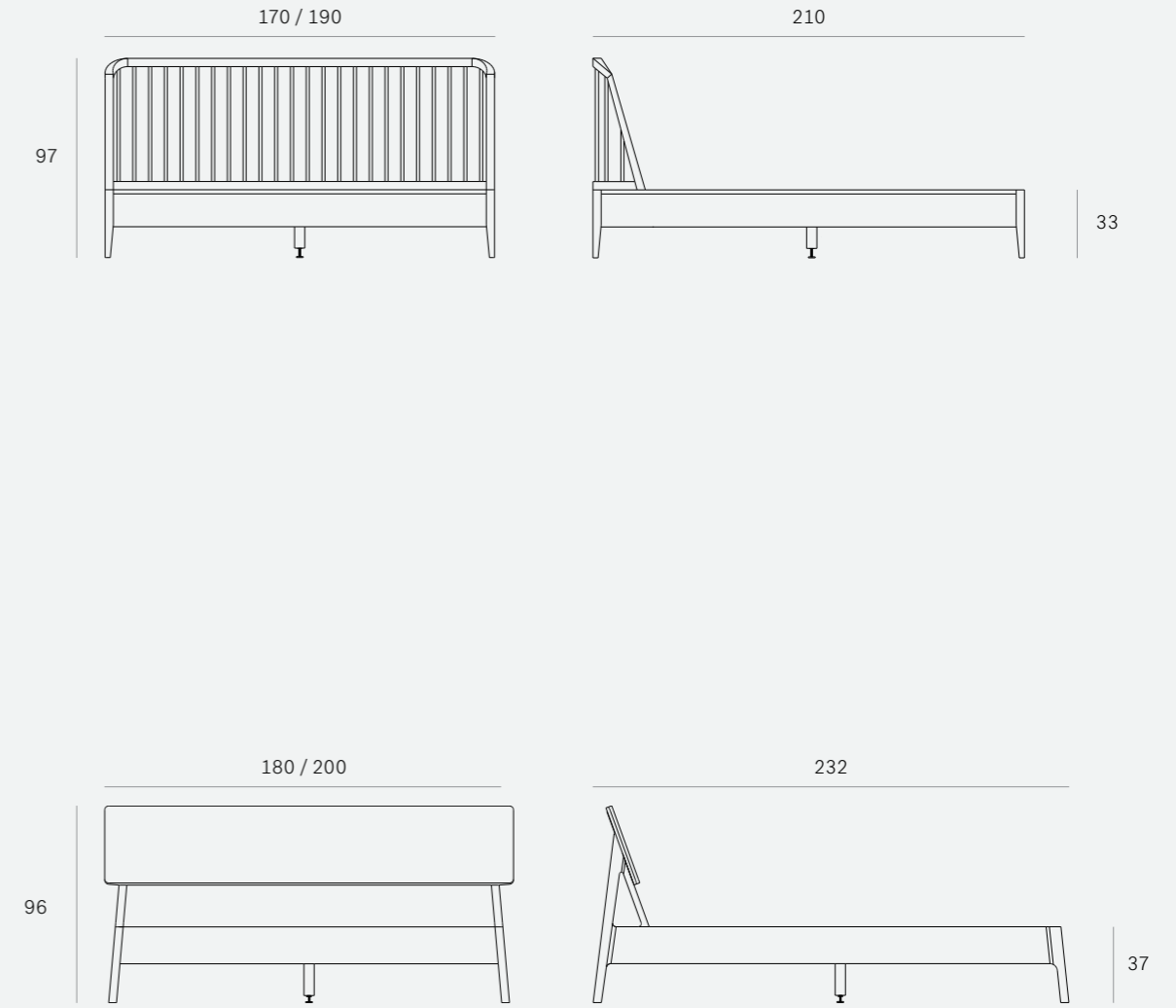
WITHOUT SLATS, MATTRESS SIZE 160/200

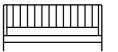
15192 180 x 232 x 96 CM

WITHOUT SLATS, MATTRESS SIZE 180/200

15191 200 x 232 x 96 CM

DIMENSIONS (CM)





NORDIC II BED - OAK ●◎

- 4 DRAWERS, WITHOUT SLATS, MATTRESS SIZE 160/200
51221 184 x 219 x 95 CM
- 4 DRAWERS, WITHOUT SLATS, MATTRESS SIZE 180/200
51220 204 x 219 x 95 CM

DETAIL



NORDIC II BED - OAK ●◎ 100%

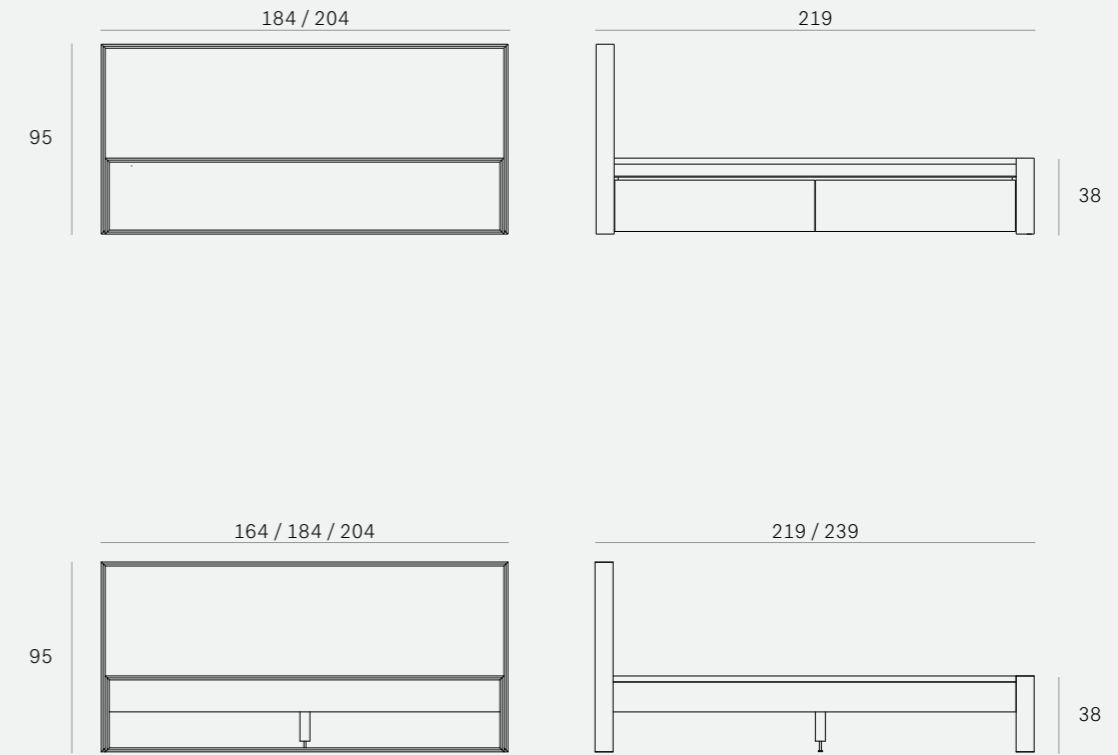
- WITHOUT SLATS, MATTRESS SIZE 140/200
51219 164 x 219 x 95 CM
- WITHOUT SLATS, MATTRESS SIZE 160/200
51216 184 x 219 x 95 CM
- WITHOUT SLATS, MATTRESS SIZE 180/200
51215 204 x 219 x 95 CM
- WITHOUT SLATS, MATTRESS SIZE 180/220
51225 204 x 239 x 95 CM

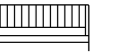


NORDIC II BED - TEAK ●

- WITHOUT SLATS, MATTRESS SIZE 160/200
15174 184 x 219 x 95 CM
- WITHOUT SLATS, MATTRESS SIZE 180/200
15173 204 x 219 x 95 CM

DIMENSIONS (CM)





MADRA BED - OAK ● © 100%

WITHOUT SLATS, MATTRESS SIZE 160/200

51202 198x 243 x 71 CM

WITHOUT SLATS, MATTRESS SIZE 180/200

51201 218x 243 x 71 CM



HP BED - TEAK ● FSC 100% **NEW**

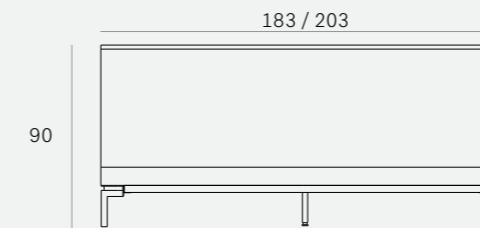
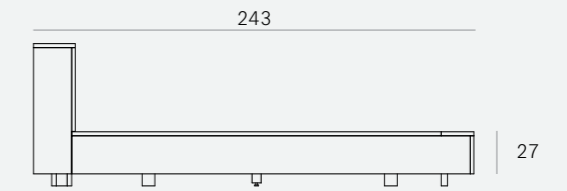
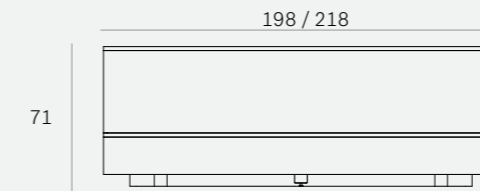
WITHOUT SLATS, MATTRESS SIZE 160/200

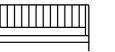
15046 183 x 220 x 90 CM

WITHOUT SLATS, MATTRESS SIZE 180/200

15047 203 x 220 x 90 CM

DIMENSIONS (CM)





AZUR BED - OAK ● © 100%

- WITHOUT SLATS, MATTRESS SIZE 140/200
51132 150 x 210 x 95 CM
- WITHOUT SLATS, MATTRESS SIZE 160/200
51124 170 x 210x 95 CM
- WITHOUT SLATS, MATTRESS SIZE 180/200
51120 190 x 210x 95 CM



AZUR BED - TEAK ● FSC 100%

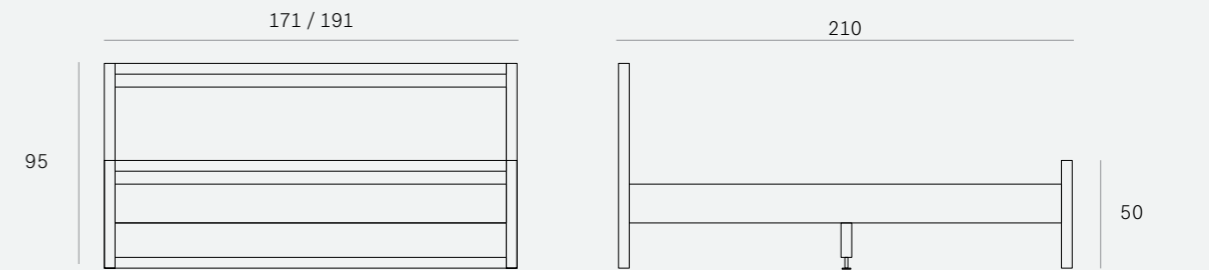
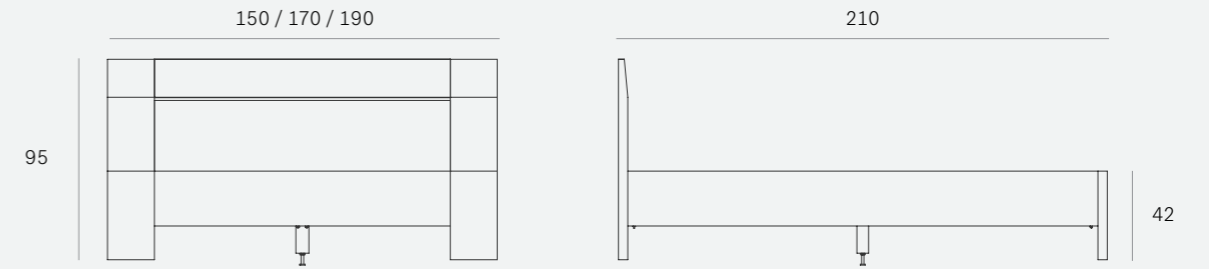
- WITHOUT SLATS, MATTRESS SIZE 140/200
15123 150 x 210 x 95 CM
- WITHOUT SLATS, MATTRESS SIZE 160/200
15111 170 x 210x 95 CM
- WITHOUT SLATS, MATTRESS SIZE 180/200
15101 190 x 210x 95 CM



LIGHT FRAME BED - TEAK ● FSC 100%

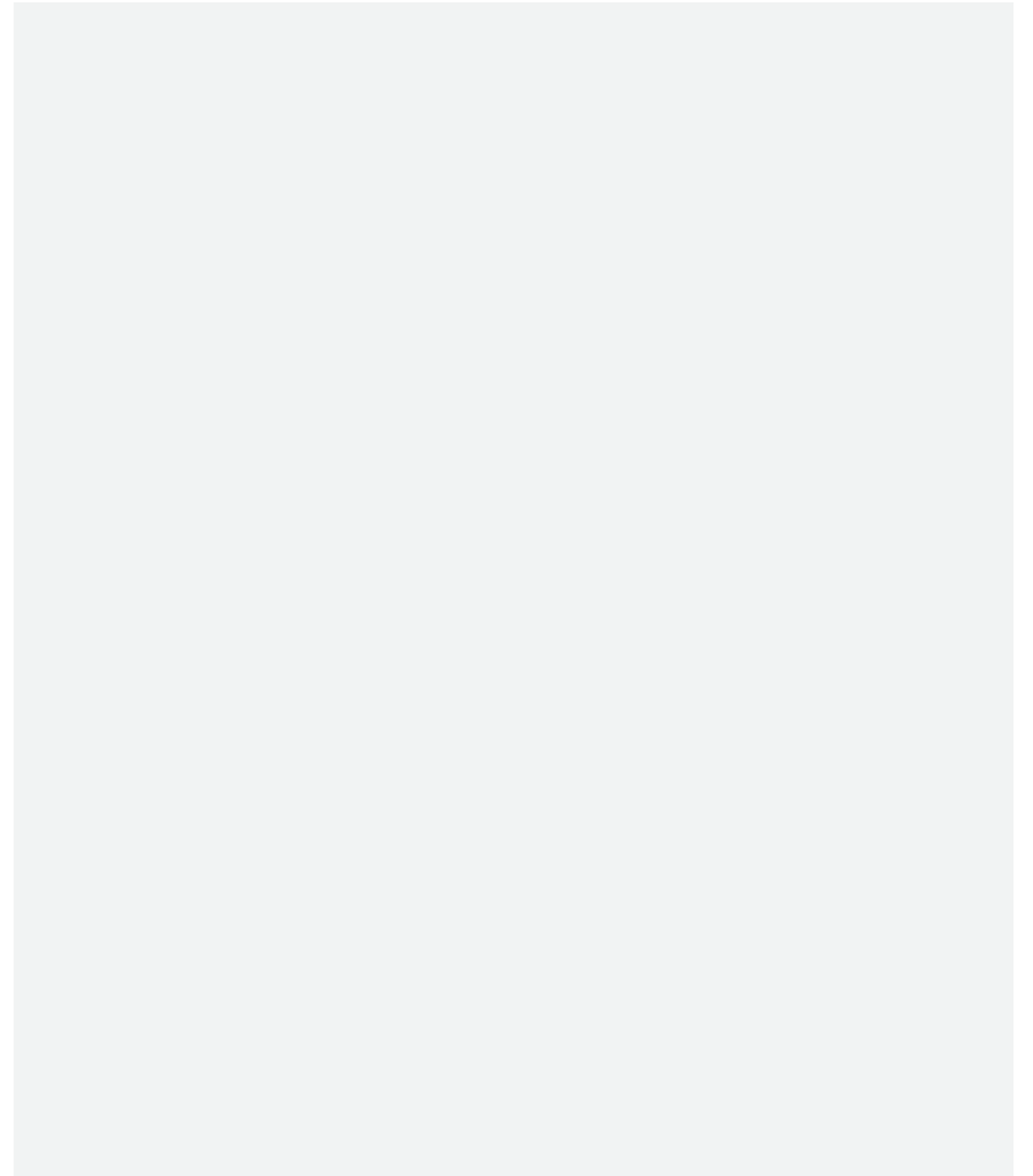
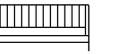
- WITHOUT SLATS, MATTRESS SIZE 160/200
11130 171 x 210 x 95 CM
- WITHOUT SLATS, MATTRESS SIZE 180/200
11131 191 x 210 x 95 CM

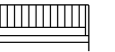
DIMENSIONS (CM)





- 42023 80 x 200 x 5 CM
- 45024 90 x 200 x 5 CM
- 45001 70 x 200 x 9 CM
- 45003 80 x 200 x 9 CM
- 45004 90 x 200 x 9 CM
- 45005 90 x 220 x 9 CM





SPINDLE BEDSIDE TABLE -
OAK ● 100% **NEW**

1 DRAWER, GLASS TOP

51245 55 x 35 x 52 CM

SPINDLE BEDSIDE TABLE -
WALNUT ● 100%

1 DRAWER, GLASS TOP

45185 55 x 35 x 52 CM



HP BEDSIDE TABLE -
TEAK ● FSC 100%

1 DRAWER, BLACK METAL LEGS

15048 60 x 45 x 51 CM



AIR BEDSIDE TABLE -
OAK ● 100%

1 DRAWER

51210 56 x 44 x 37 CM

AIR BEDSIDE TABLE -
TEAK ● FSC 100%

1 DRAWER

15190 56 x 44 x 37 CM



NORDIC II BEDSIDE TABLE -
OAK ● 100%

1 DRAWER

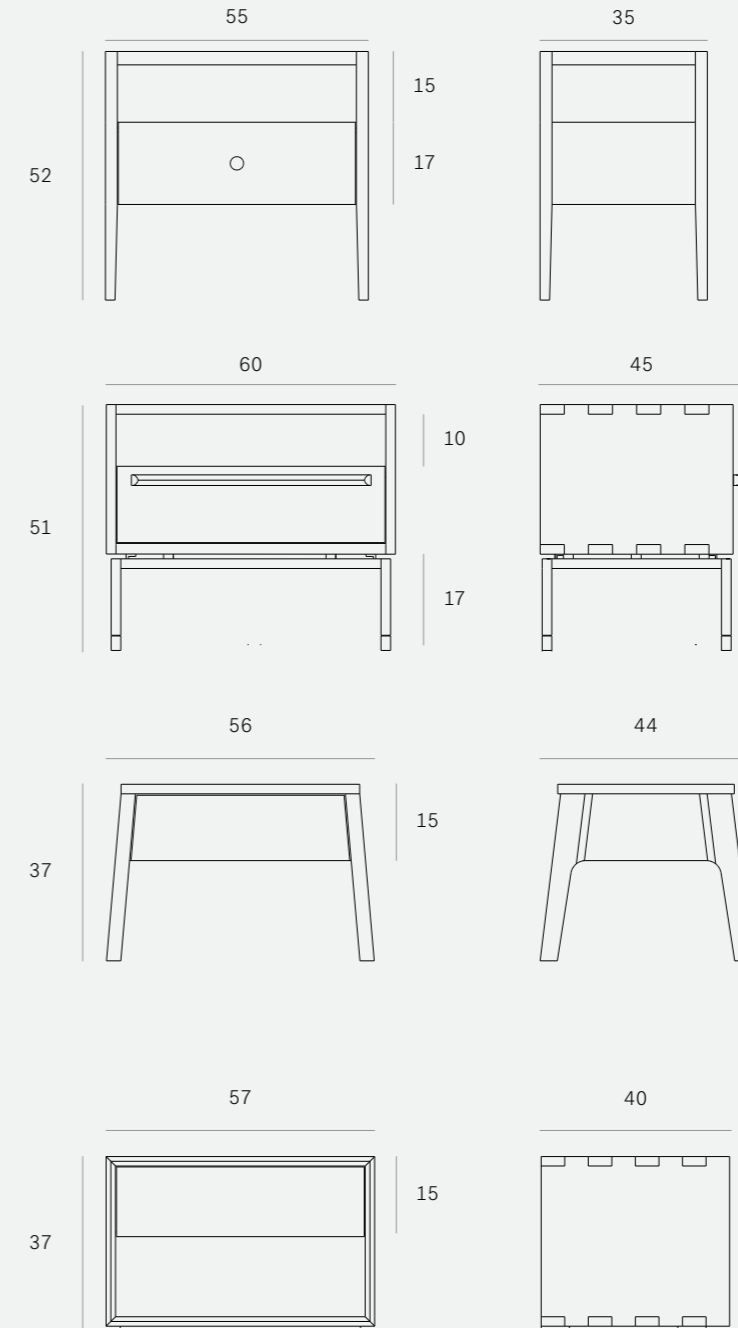
51175 57 x 40 x 37 CM

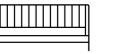
NORDIC II BEDSIDE TABLE -
TEAK ● FSC 100%

1 DRAWER

15172 57 x 40 x 37 CM

DIMENSIONS (CM)





NORDIC II BEDSIDE TABLE -
OAK ● ◎ 100%
HANGING, 1 DRAWER

51224 57 x 40 x 21 CM



NORDIC II BEDSIDE TABLE -
TEAK ● FSC 100%
HANGING, 1 DRAWER

15178 57 x 40 x 21 CM



MADRA BEDSIDE TABLE -
OAK ● ◎ 100%
1 DRAWER

51200 60 x 43 x 27 CM



MONOLIT BEDSIDE TABLE -
OAK ● ◎ FSC 100%
1 DRAWER, BLACK METAL

26869 47 x 47 x 51 CM

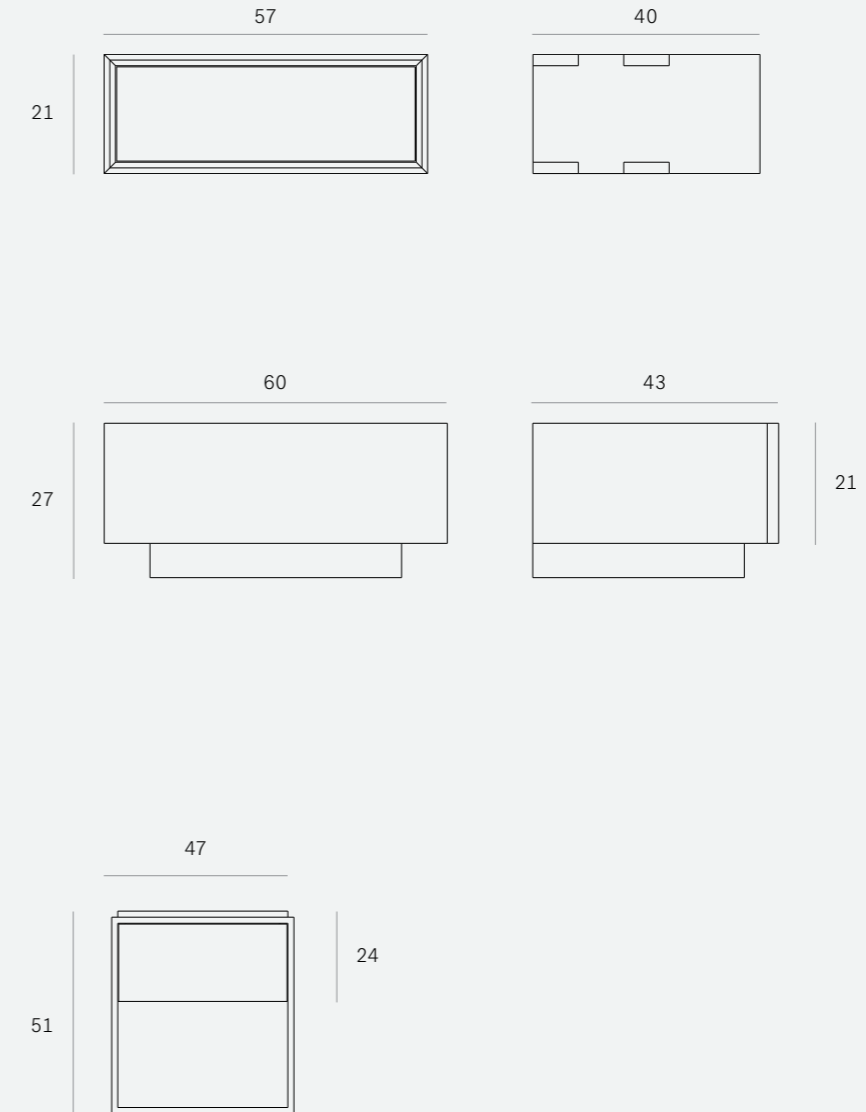
MONOLIT BEDSIDE TABLE -
OAK ● ◎ FSC 100%
1 DRAWER, WHITE METAL

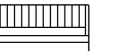
26868 47 x 47 x 51 CM

MONOLIT BEDSIDE TABLE -
OAK BLACK ● ◻ ◻ FSC 100%
1 DRAWER, BLACK METAL

26870 47 x 47 x 51 CM

DIMENSIONS (CM)





LIGNA BEDSIDE TABLE - OAK ● ◎100%

HINGE RIGHT, 1 DOOR, STAINLESS STEEL LEGS

51168 45 x 40 x 50 CM

HINGE LEFT, 1 DOOR, STAINLESS STEEL LEGS

51169 45 x 40 x 50 CM



AZUR BEDSIDE TABLE - OAK ● ◎100%

1 DRAWER

51140 48 x 44 x 48 CM



LIGHT FRAME BEDSIDE TABLE - TEAK ● FSC 100%

1 DRAWER

11127 48 x 44 x 48 CM

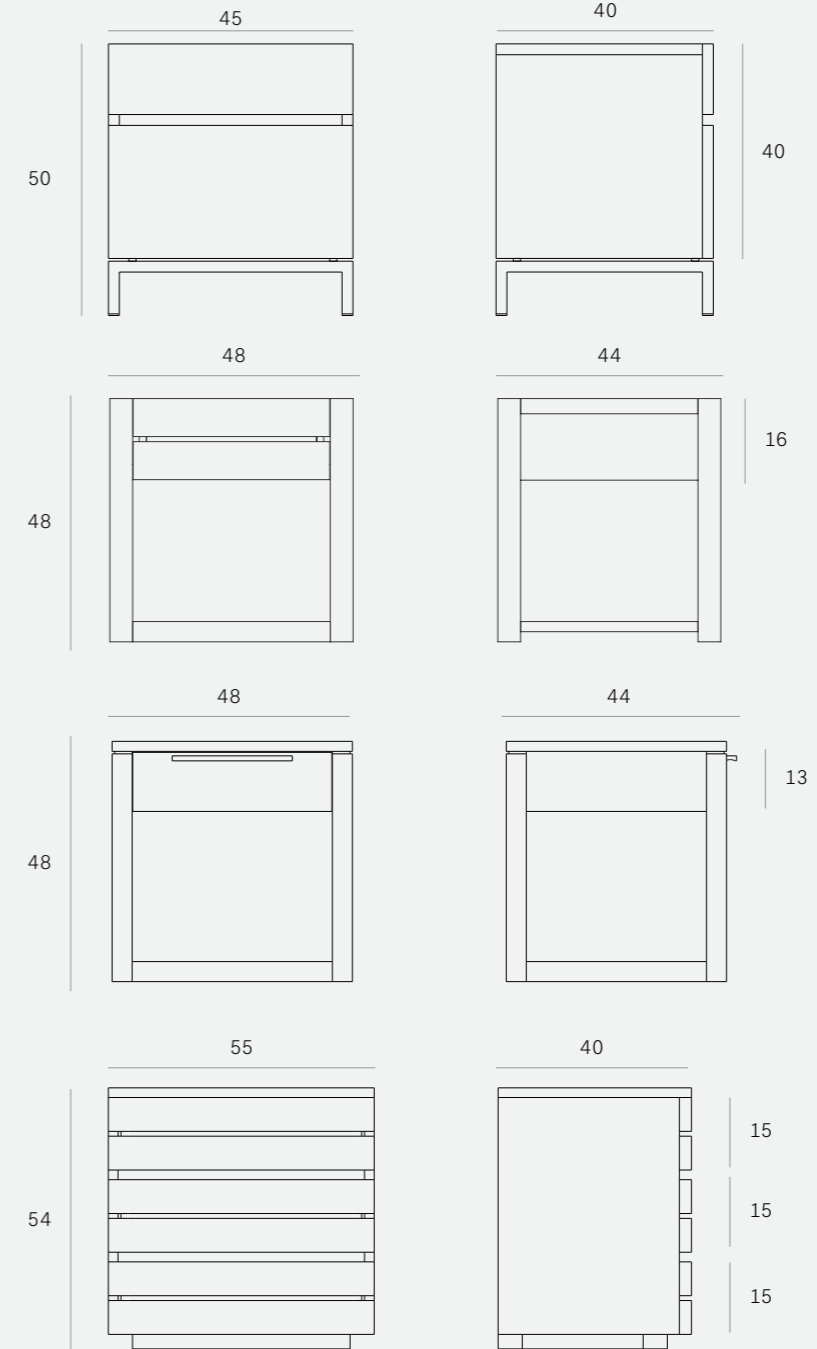


HORIZON BEDSIDE TABLE - TEAK ● FSC 100%

3 DRAWERS

10604 55 x 40 x 54 CM

DIMENSIONS (CM)



DRESSERS & CHEST OF DRAWERS



*You can never have enough storage space in a home.
With wardrobes and chests of drawers in all shapes
and sizes, we offer a helping hand.*





KDS DRESSER - OAK ● © 100%
2 SLIDING DOORS, SELF ASSEMBLY

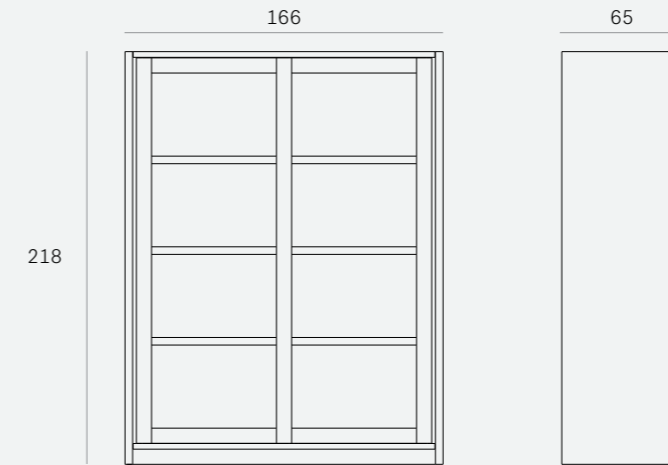
51198 166 x 65 x 218 CM



KDS DRESSER - TEAK ●
2 SLIDING DOORS, SELF ASSEMBLY

15081 166 x 65 x 218 CM

DIMENSIONS (CM)





SHADOW DRESSER - OAK ● 100%
3 DOORS, 3 DRAWERS

51185 115 x 60 x 200 CM



SHADOW DRESSER - TEAK ● FSC 100%
3 DOORS, 3 DRAWERS

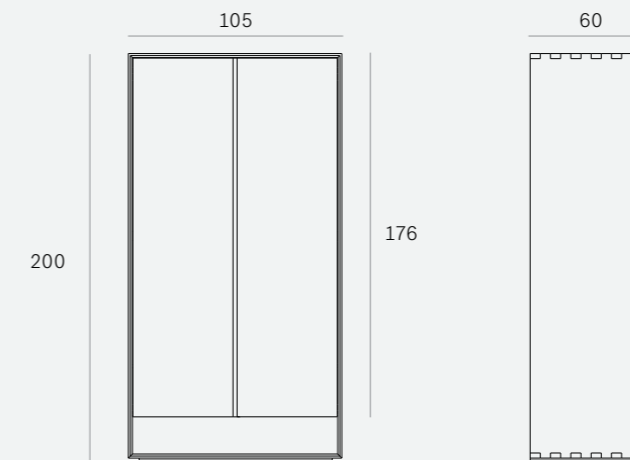
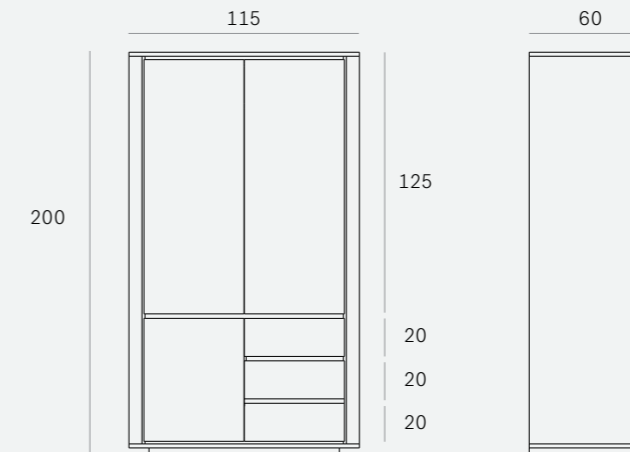
15049 115 x 60 x 200 CM



NORDIC DRESSER - OAK ● 100%
2 DOORS

51177 105 x 60 x 200 CM

DIMENSIONS (CM)





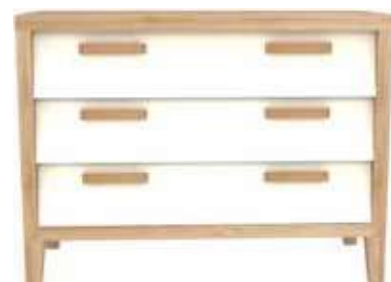
SHADOW CHEST OF DRAWERS -
OAK ● © 100%
1 DOOR, 2 DRAWERS

51186 160 x 50 x 84 CM



NORDIC CHEST OF DRAWERS -
OAK ● © 100%
3 DRAWERS

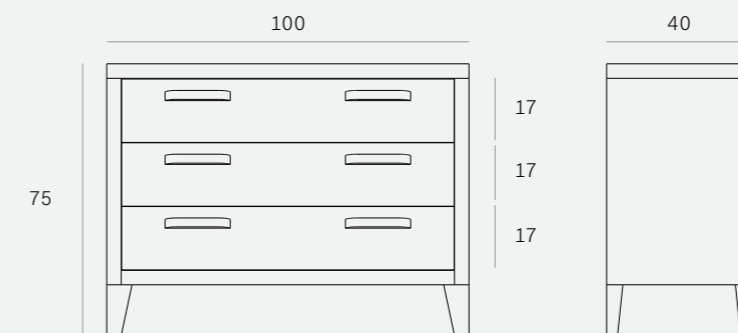
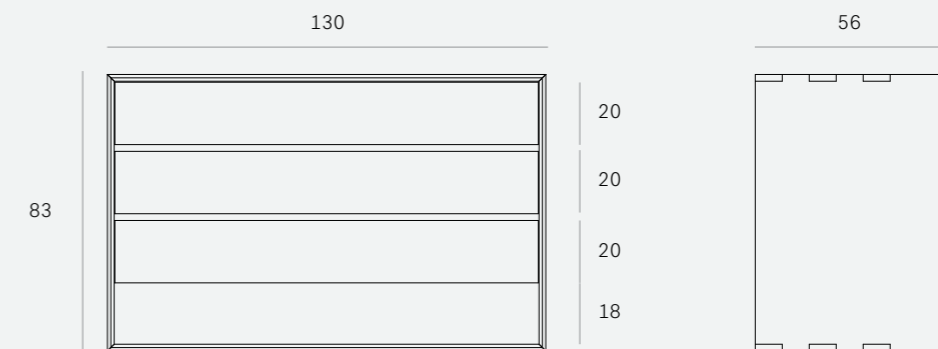
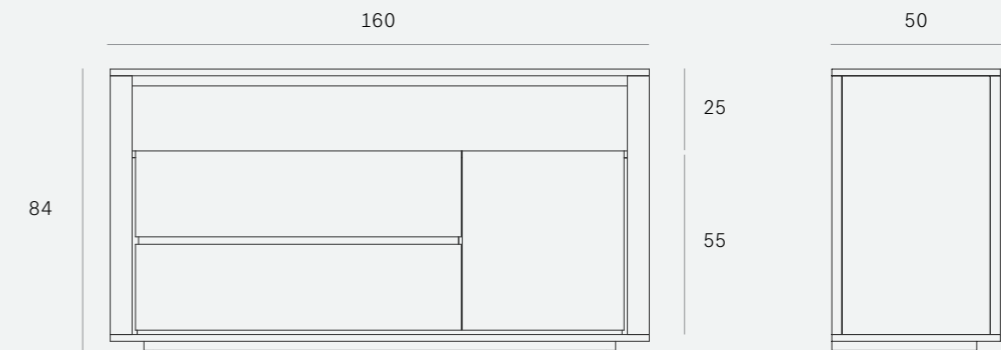
51176 130 x 56 x 83 CM



CHEST 60'S CHEST OF DRAWERS -
OAK ● © 100%
3 DRAWERS, CREAM

45034 100 x 40 x 75 CM

DIMENSIONS (CM)





BURGER CHEST OF DRAWERS -
OAK ● © 100%
4 DRAWERS

51399 100 x 50 x 90 cm



BURGER CHEST OF DRAWERS -
TEAK ● FSC 100%
4 DRAWERS

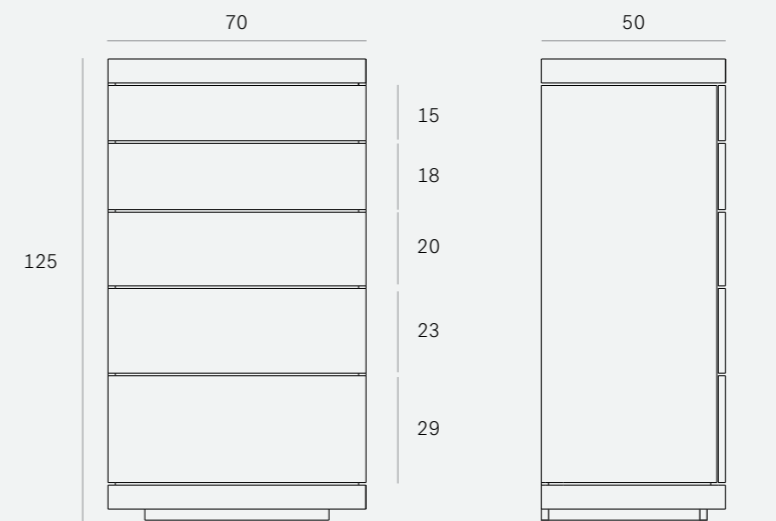
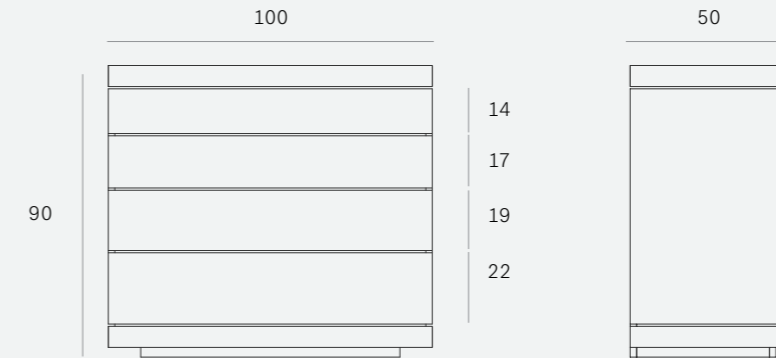
15327 100 x 50 x 90 cm



BURGER CHEST OF DRAWERS -
TEAK ● FSC 100%
5 DRAWERS

15062 70 x 50 x 125 cm

DIMENSIONS (CM)





CHEST 60'S CHEST OF DRAWERS -
OAK ● © 100%
5 DRAWERS, CREAM

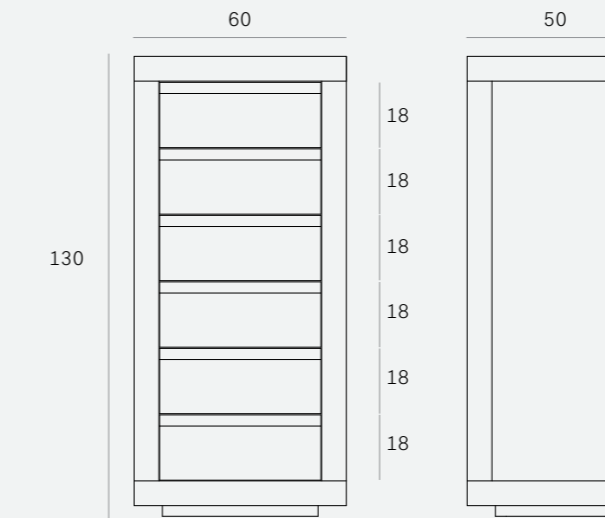
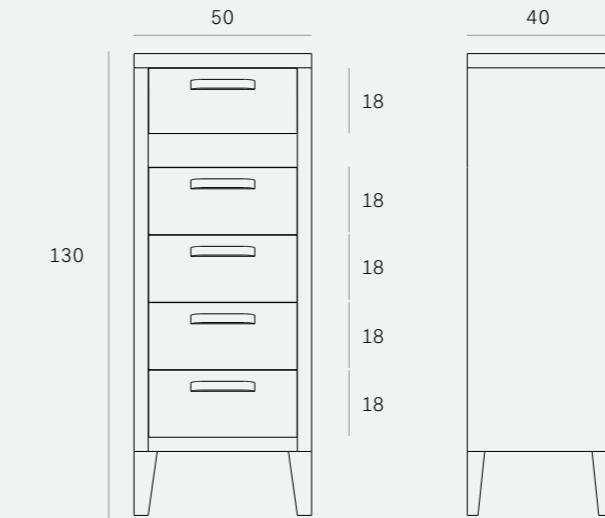
45031 50 x 40 x 130 cm



FLAT CHEST OF DRAWERS -
OAK ● © 100%
6 DRAWERS

51086 60 x 50 x 130 cm

DIMENSIONS (CM)





LIGHT FRAME CHEST OF DRAWERS -
TEAK ● FSC 100%
3 DRAWERS

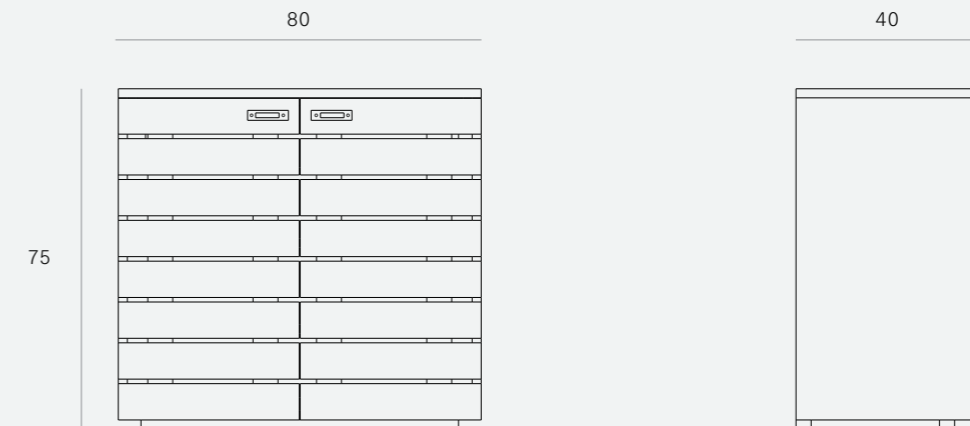
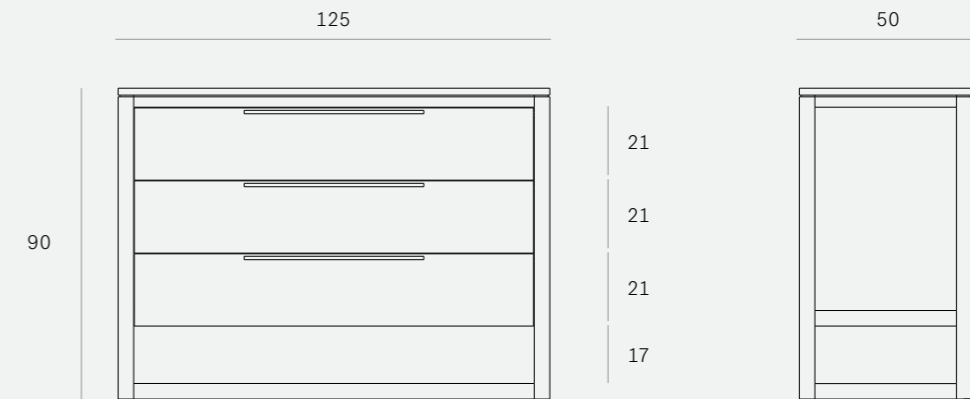
11125 125 x 50 x 90 CM



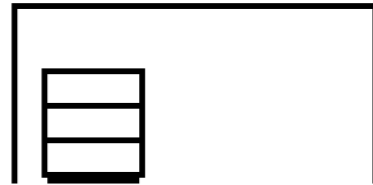
HORIZON SHOE RACK -
TEAK ● FSC 100%
2 DOORS, 1 DRAWER (INSIDE)

10605 80 x 40 x 75 CM

DIMENSIONS (CM)



OFFICE



*It might be work, but it doesn't have to feel like it.
Create a sophisticated work environment and design your office
exactly as you want it to be, without sacrificing style or comfort.*





U DESK - OAK ● ◎ 100%

- 50001 140 x 72 x 75 CM
- 50000 172 x 80 x 75 CM
- 50010 200 x 88 x 75 CM



WAVE DESK - OAK ● ◎ 100%

1 DRAWER

- 51456 120 x 60 x 78 CM

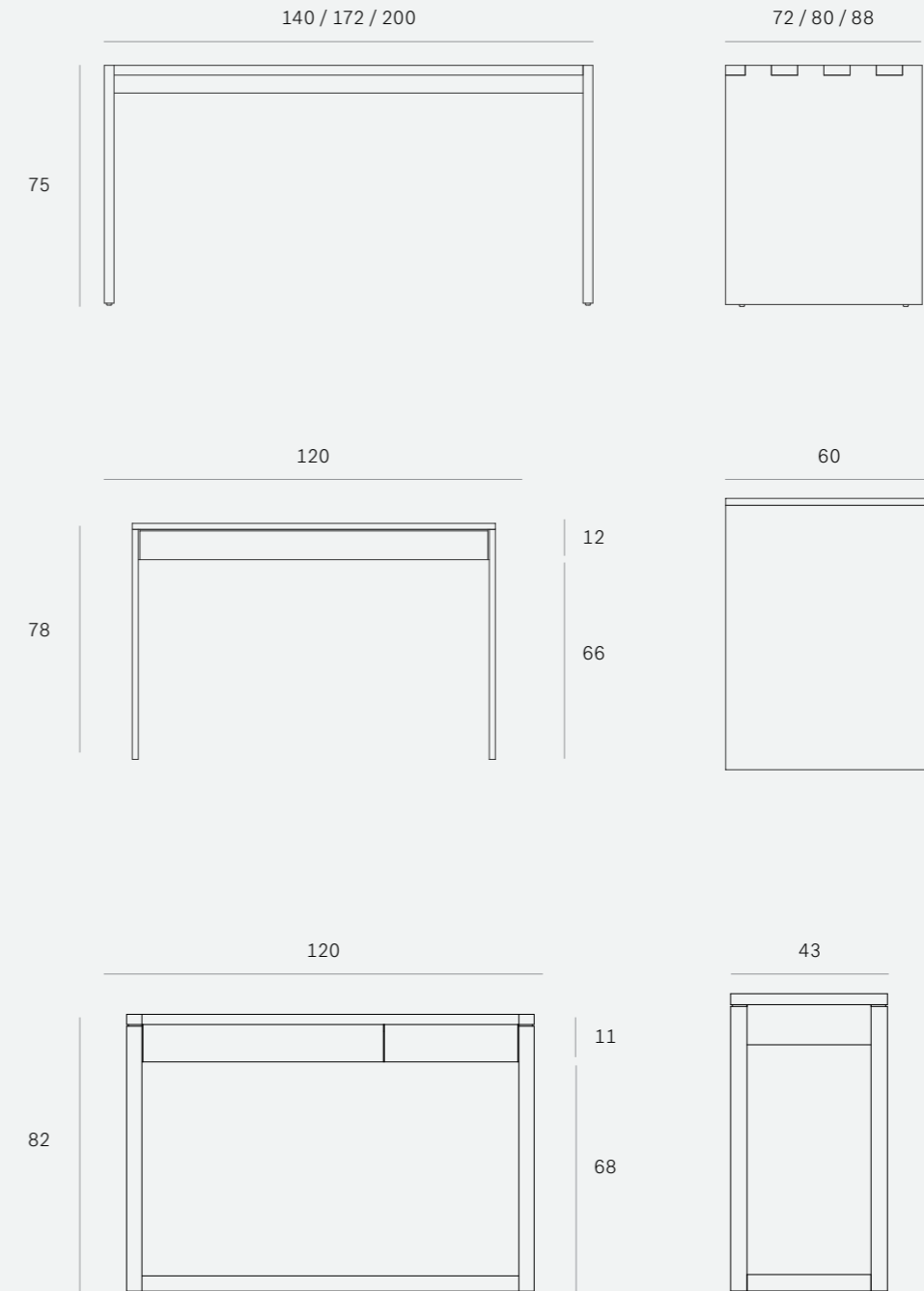


FRAME PC CONSOLE - OAK ● ◎ 100%

2 DRAWERS

- 50516 120 x 43 x 82 CM

DIMENSIONS (CM)





B DESK - OAK  FSC 100%
WHITE METAL

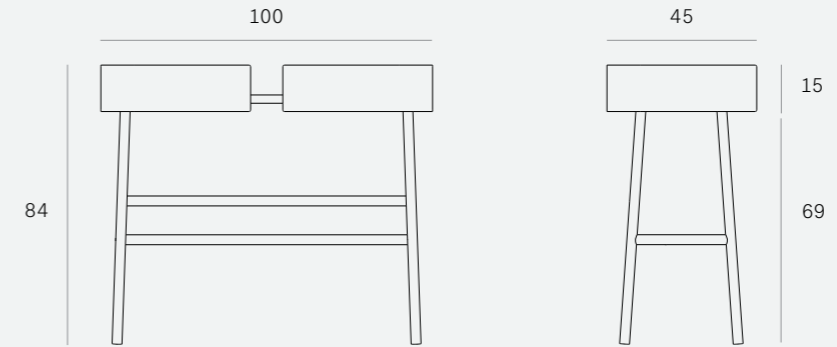
26159 100 x 45 x 84 cm




B DESK - OAK  FSC 100%
BLACK METAL

26164 100 x 45 x 84 cm

DIMENSIONS (CM)






CLOUD DESK - OAK  FSC 100%
WHITE METAL


26742 120 x 60 x 75 CM



VERSO DESK - OAK  FSC 100%
3 DRAWERS, WHITE

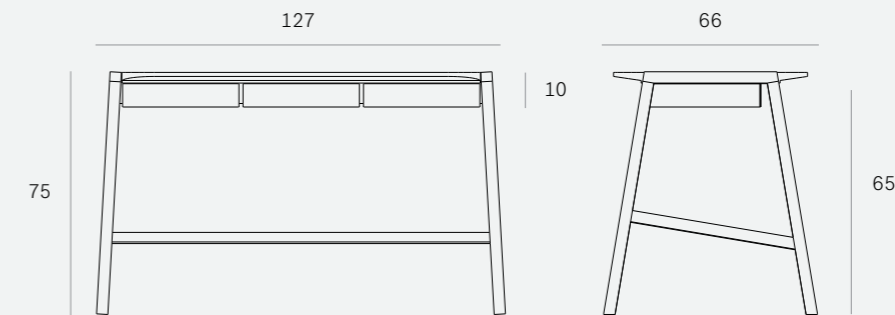
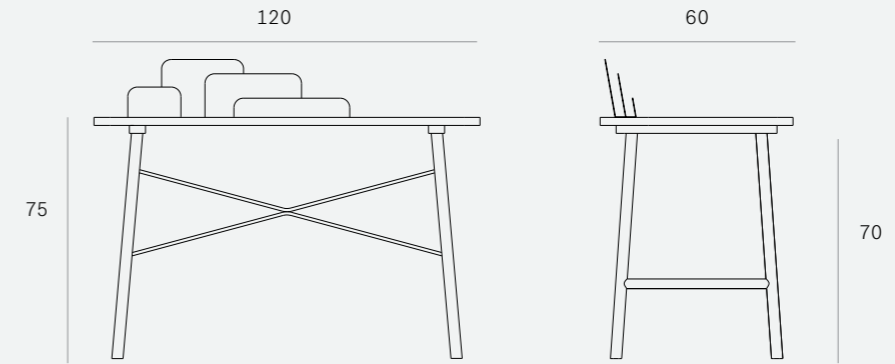
27022 127 x 66 x 75 CM



VERSO DESK - OAK  FSC 100%
3 DRAWERS, BLACK

27028 127 x 66 x 75 CM

DIMENSIONS (CM)





ORIGAMI DESK - OAK ● © 100%
5 DRAWERS, BLACK

45055 135 x 55 x 94 CM



ORIGAMI DESK - OAK ● © 100%
5 DRAWERS, CREAM

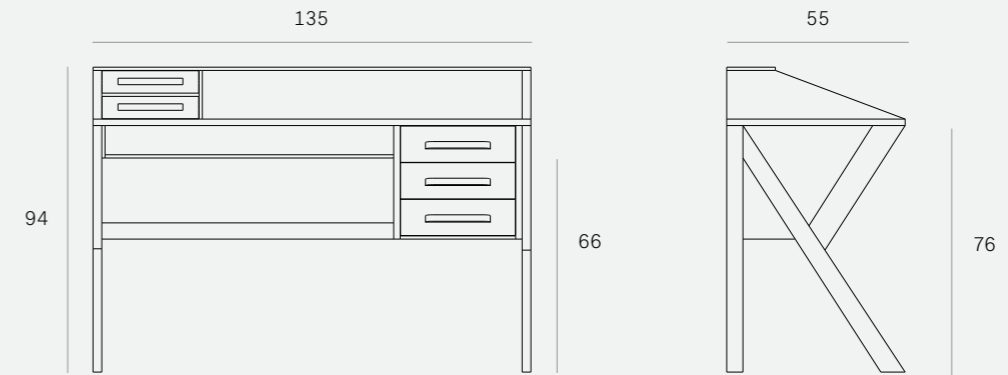
45056 135 x 55 x 94 CM



ORIGAMI DESK - OAK ● © 100%
5 DRAWERS, OLIVE

45021 135 x 55 x 94 CM

DIMENSIONS (CM)





BILLY BOX - OAK ● ◎ 100%

3 DRAWERS

50620 50 x 56 x 66 CM



BILLY BOX II - OAK ● ◎ FSC 100%

1 DRAWER, WHITE METAL

26007 45 x 45 x 52 CM



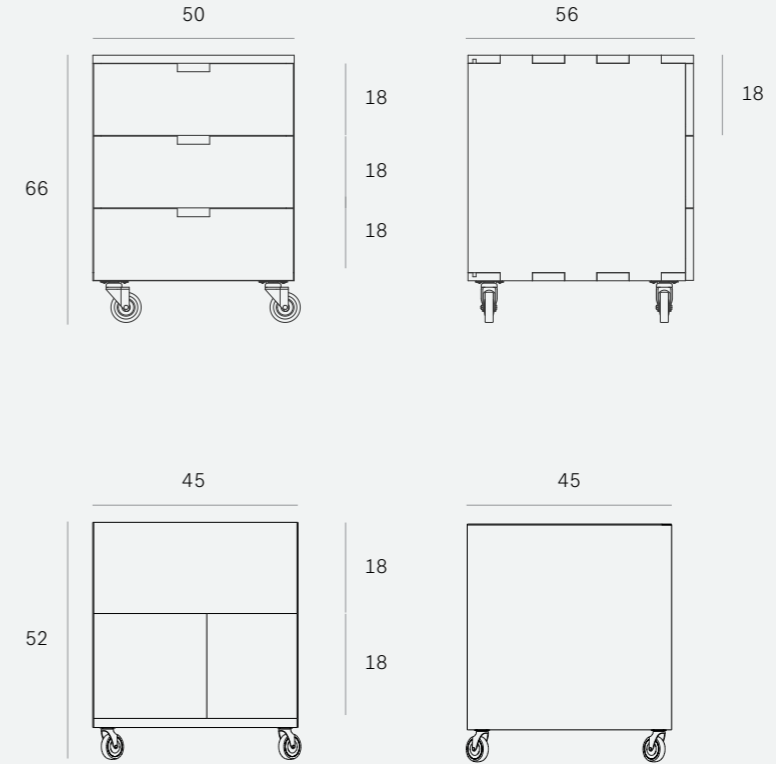
BILLY BOX II - OAK ● ◎ FSC 100%

1 DRAWER, BLACK METAL

26012 45 x 45 x 52 CM



DIMENSIONS (CM)





CELL UNIT SIDEBOARD -
OAK ●◎ 100% **NEW**
2 DOORS, BLACK METAL

51065 94 x 48 x 95 CM



CELL UNIT STORAGE CUPBOARD -
OAK ●◎ 100% **NEW**
2 DOORS, BLACK METAL

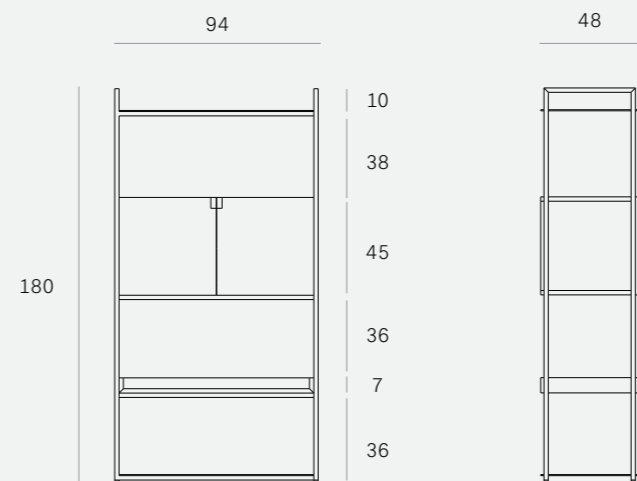
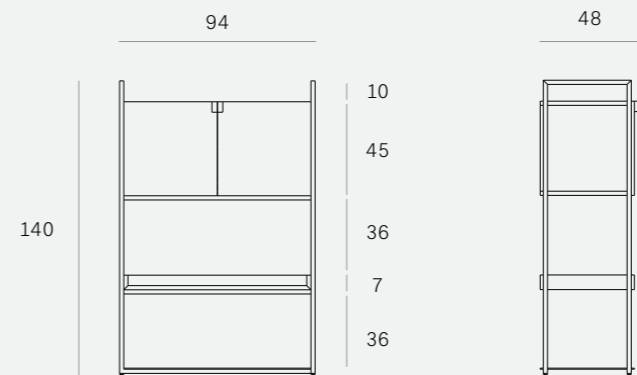
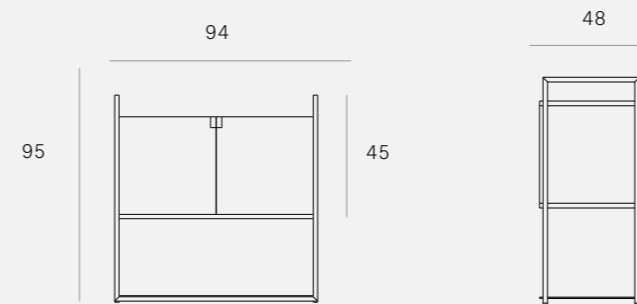
50166 94 x 48 x 140 CM



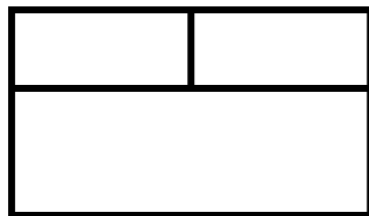
CELL UNIT STORAGE CUPBOARD -
OAK ●◎ 100% **NEW**
2 DOORS, BLACK METAL

50167 94 x 48 x 180 CM

DIMENSIONS (CM)



CONSOLES



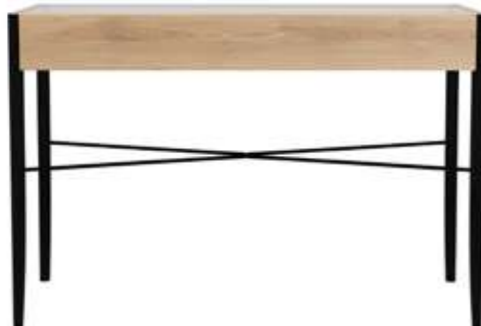
*Consoles are both practical and appealing.
They are perfect for creating a welcoming atmosphere
and to store keys and paperwork.*





DISC CONSOLE -
OAK ●◎ FSC 100% **NEW**
BLACK METAL LEGS

26611 120 x 35 x 75 CM



WINDOW CONSOLE -
OAK ●▽ 100% **NEW**
1 FLIP - DOWN DOOR, TEMPERED GLASS TOP,
OAK BLACK LEGS

51429 120 x 45 x 80 CM



MONOLIT CONSOLE -
OAK ●◎ FSC 100%
2 DRAWERS, WHITE METAL

26871 122 x 40 x 85 CM



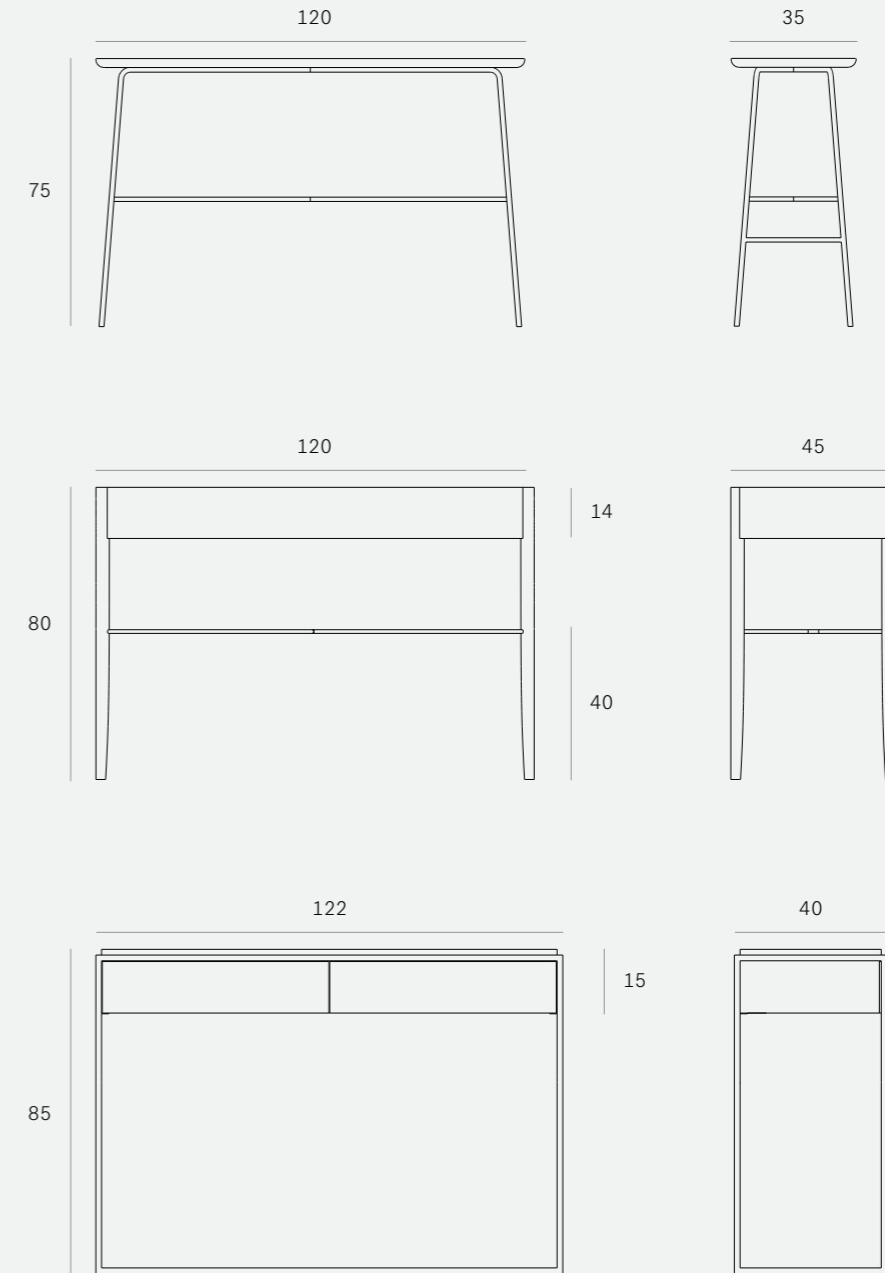
MONOLIT CONSOLE -
OAK ●◎ FSC 100%
2 DRAWERS, BLACK METAL

26872 122 x 40 x 85 CM

MONOLIT CONSOLE -
OAK BLACK ●▽◎ FSC 100%
2 DRAWERS, BLACK METAL

26873 122 x 40 x 85 CM

DIMENSIONS (CM)





NORDIC CONSOLE - OAK ● ◎ 100%
2 DRAWERS

- 51447 120 x 40 x 85 cm
- 51444 160 x 40 x 85 cm



HALL CONSOLE - OAK ● ◎ FSC 100%
2 DRAWERS, WHITE METAL

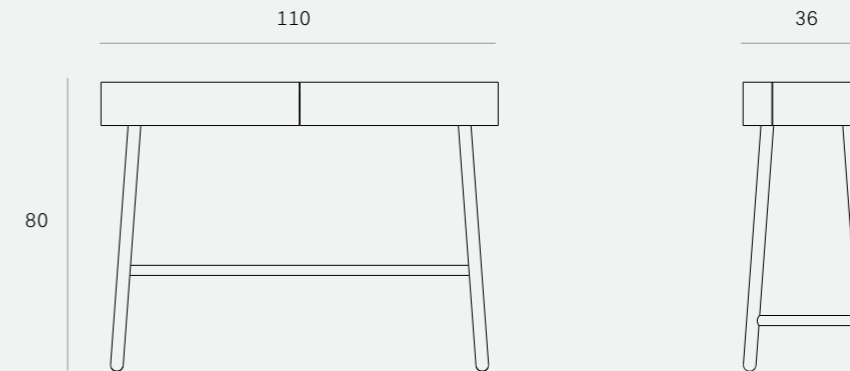
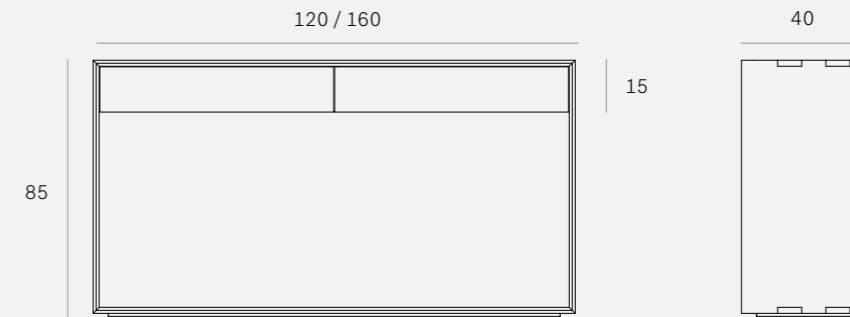
- 26589 110 x 36 x 80 cm



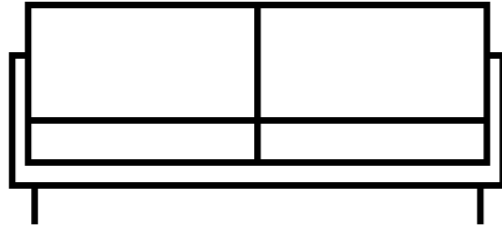
HALL CONSOLE - OAK ● ◎ FSC 100%
2 DRAWERS, BLACK METAL

- 26595 110 x 36 x 80 cm

DIMENSIONS (CM)



SOFAS



Our elegant and compact sofas offer modern and well-designed seating comfort. We believe they are the perfect companions of our wooden furniture.





N701 SOFA 1 SEATER -
BEIGE ● **NEW**

20229 80 x 91 x 76 CM



N701 SOFA 1 SEATER -
DARK GREY ● **NEW**

20232 80 x 91 x 76 CM



N701 SOFA 3 SEATER -
BEIGE ● **NEW**

20231 210 x 91 x 76 CM

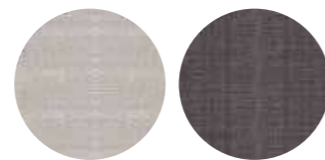


N701 SOFA 3 SEATER -
DARK GREY ● **NEW**

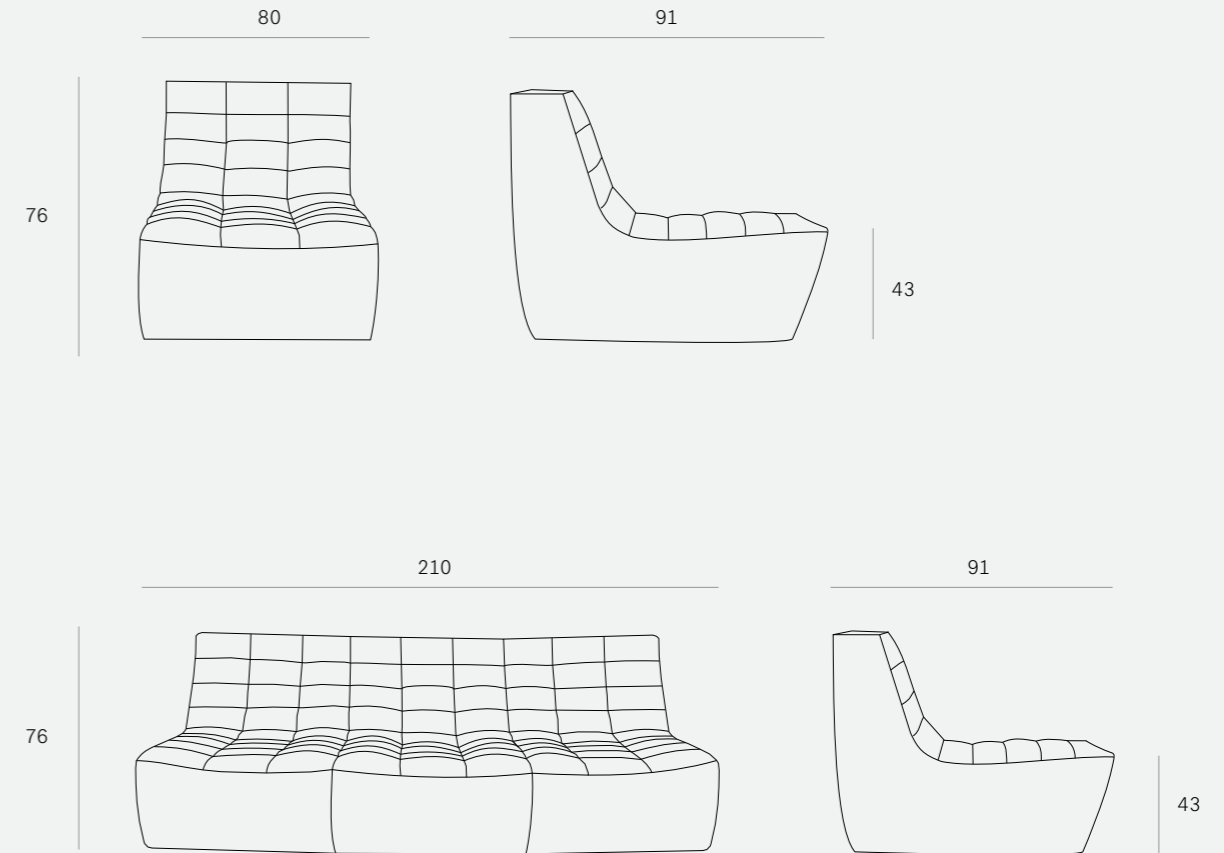
20234 210 x 91 x 76 CM

FABRIC: 84% POLYESTER & 16% ACRYLIC

DETAIL



DIMENSIONS (CM)





N501 SOFA 1 SEATER -
OLD SADDLE ●

20219 78 x 90 x 85 CM



N501 SOFA 2 SEATER -
OLD SADDLE ● **NEW**

20220 156 x 90 x 85 CM



N501 SOFA 3 SEATER -
OLD SADDLE ●

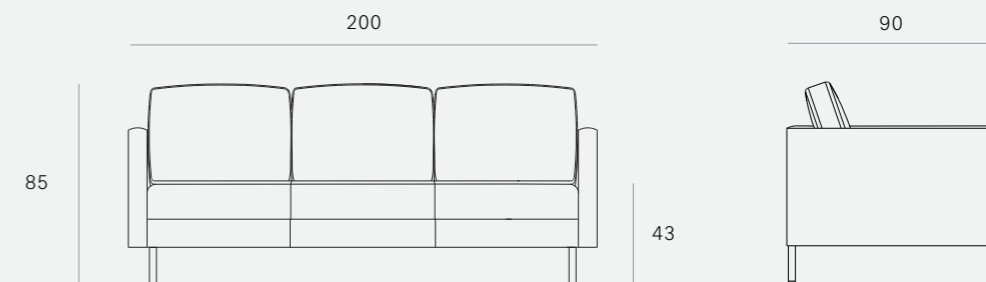
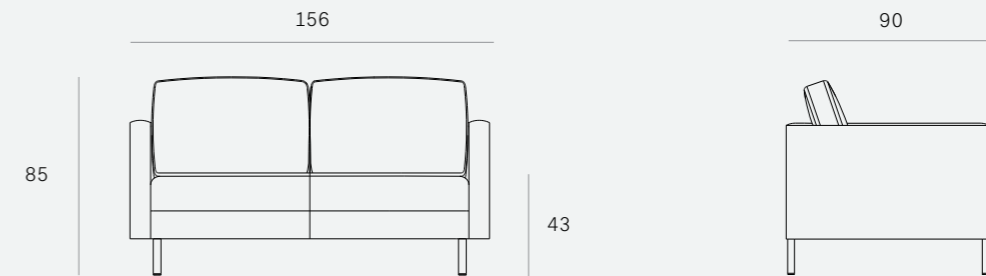
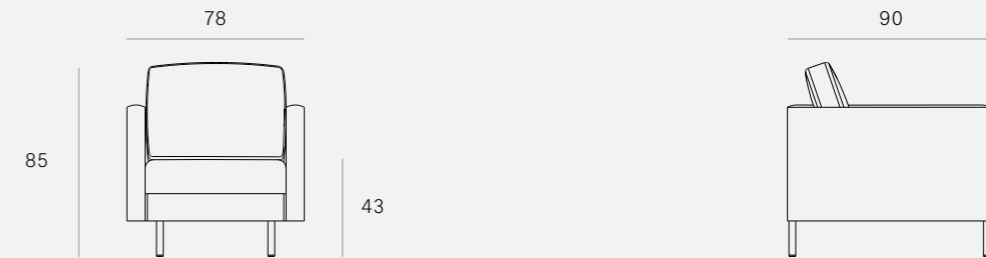
20221 200 x 90 x 85 CM

FABRIC: LEATHER

DETAIL



DIMENSIONS (CM)





N801 SOFA 1 SEATER - GREY ●

20235 80 x 93 x 82 CM



N801 SOFA 1 SEATER - BEIGE ●

20238 80 x 93 x 82 CM



N801 SOFA 3 SEATER - GREY ●

20237 212 x 93 x 80 CM

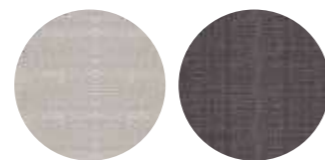


N801 SOFA 3 SEATER - BEIGE ●

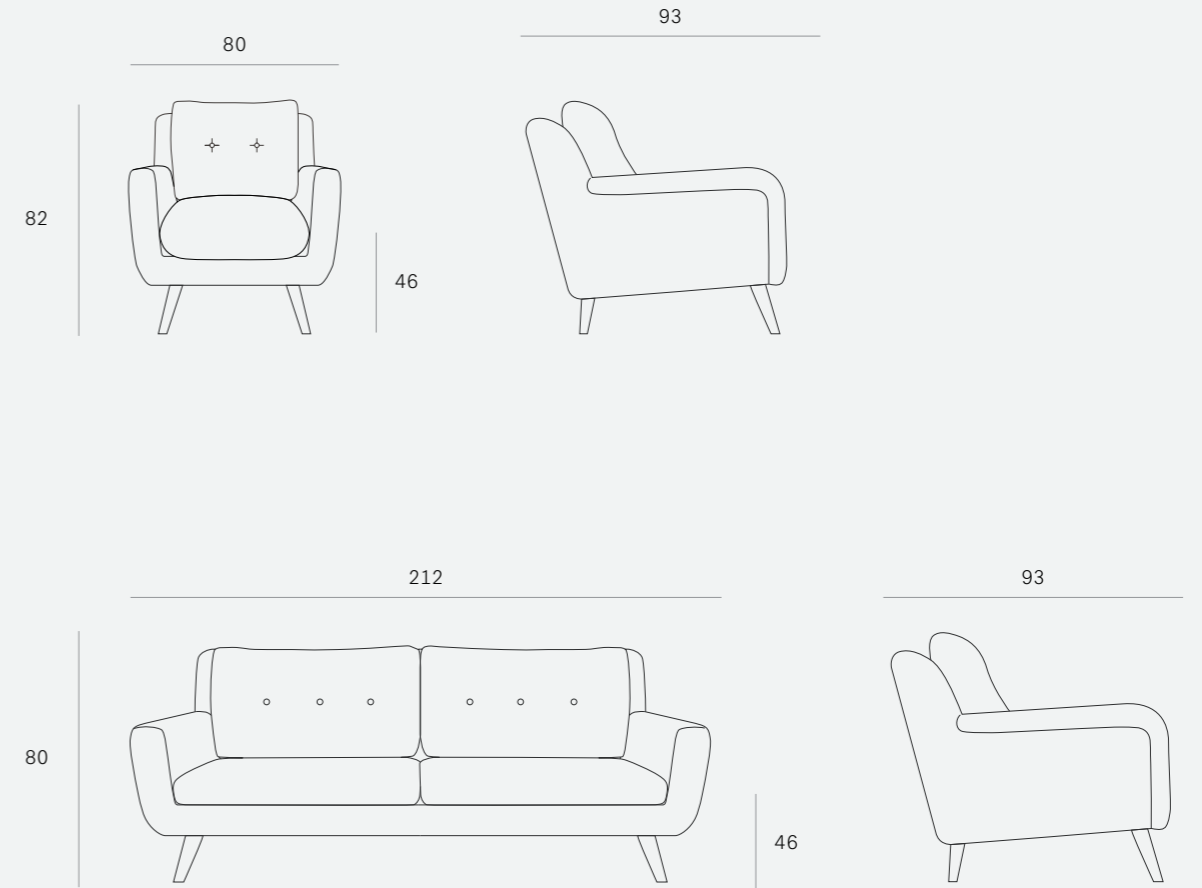
20240 212 x 93 x 80 CM

FABRIC: 100% POLYESTER

DETAIL



DIMENSIONS (CM)





N101 SOFA 1 SEATER - WHEAT ●

WITHOUT CUSHION

20105 81 x 93 x 80 CM



N101 SOFA 1 SEATER - ASH GREY ●

20114 81 x 93 x 80 CM

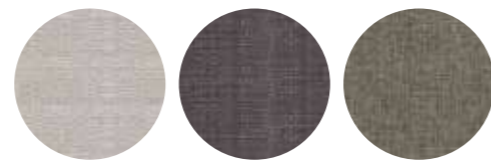


N101 SOFA 1 SEATER - OLIVE GREEN ●

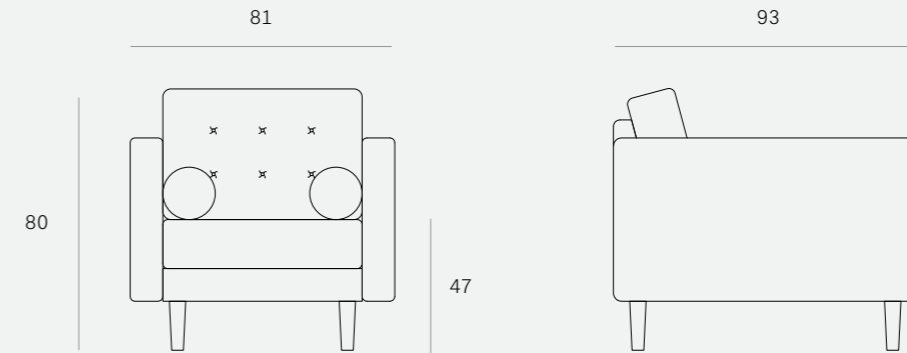
20106 81 x 93 x 80 CM

FABRIC: 67% POLYESTER & 33% ACRYLIC

DETAIL



DIMENSIONS (CM)





N101 SOFA 2 SEATER - WHEAT ●

20107 167 x 93 x 80 cm



N101 SOFA 2 SEATER - ASH GREY ●

20115 167 x 93 x 80 cm

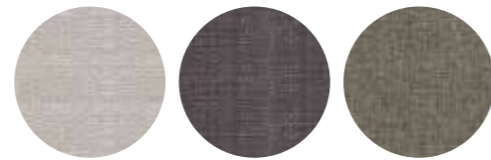


N101 SOFA 2 SEATER - OLIVE GREEN ●

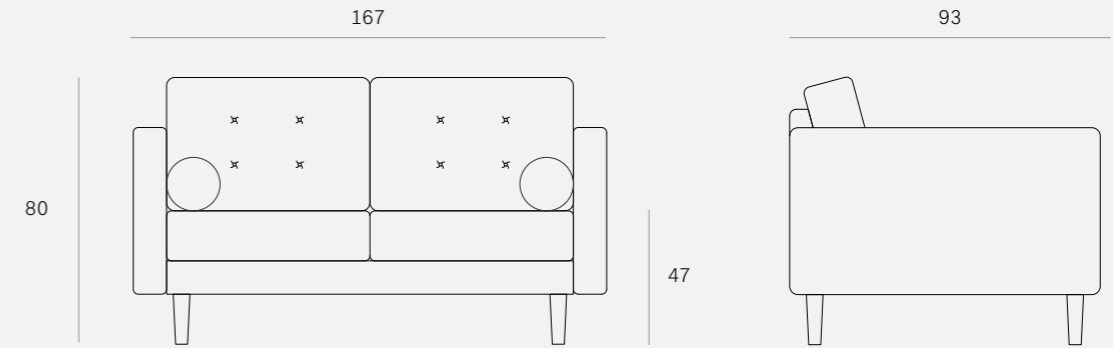
20108 167 x 93 x 80 cm

FABRIC: 67% POLYESTER & 33% ACRYLIC

DETAIL



DIMENSIONS (CM)





N101 SOFA 3 SEATER - WHEAT ●

20109 203 x 93 x 80 cm



N101 SOFA 3 SEATER - ASH GREY ●

20116 203 x 93 x 80 cm

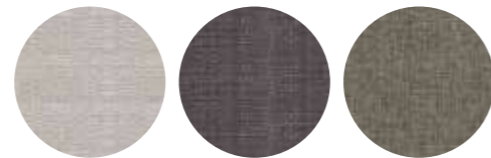


N101 SOFA 3 SEATER - OLIVE GREEN ●

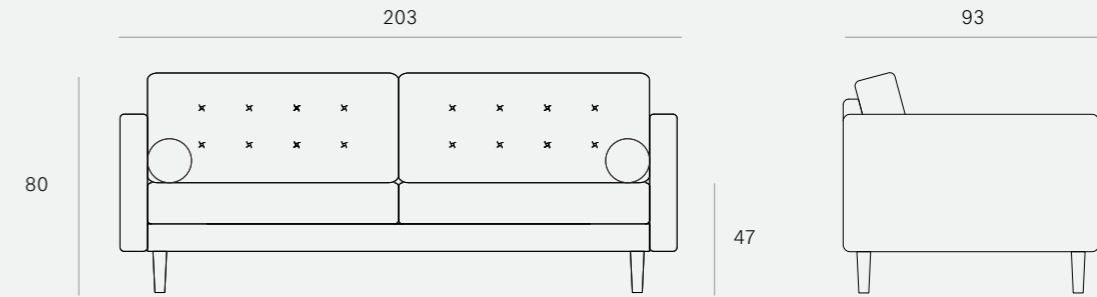
20110 203 x 93 x 80 cm

FABRIC: 67% POLYESTER & 33% ACRYLIC

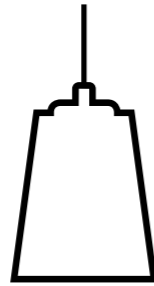
DETAIL



DIMENSIONS (CM)



LIGHTING



At Ethnicraft we know how important it is to create a relaxing mood in your home. Our table, floor and ceiling lights will help you set the right tone.





CONE LAMP SHORT - OAK

● ◎ FSC 100%

WHITE METAL

26885 10 x 10 x 14 CM



CONE LAMP SHORT - OAK

● ◎ FSC 100%

BLACK METAL

26892 10 x 10 x 14 CM

ONLY USE LED BULBS
MAX. 400 LUMEN | E27



CONE LAMP BIG - OAK ● ◎ FSC 100%

WHITE METAL

26706 17 x 17 x 18 CM



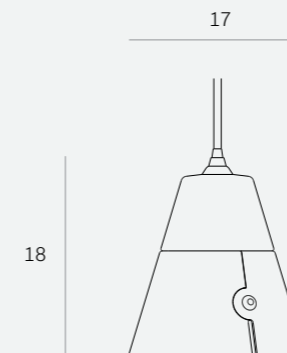
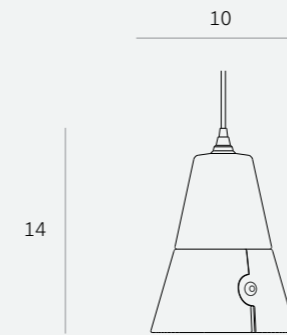
CONE LAMP BIG - OAK ● ◎ FSC 100%

BLACK METAL

26713 17 x 17 x 18 CM

ONLY USE LED BULBS
MAX. 600 LUMEN | E27

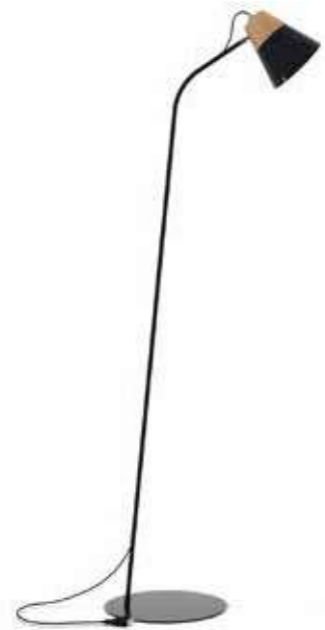
DIMENSIONS (CM)





CONE LAMP FLOOR -
OAK ● ◎ FSC 100%
WHITE METAL
26894 56 x 32 x 160 CM

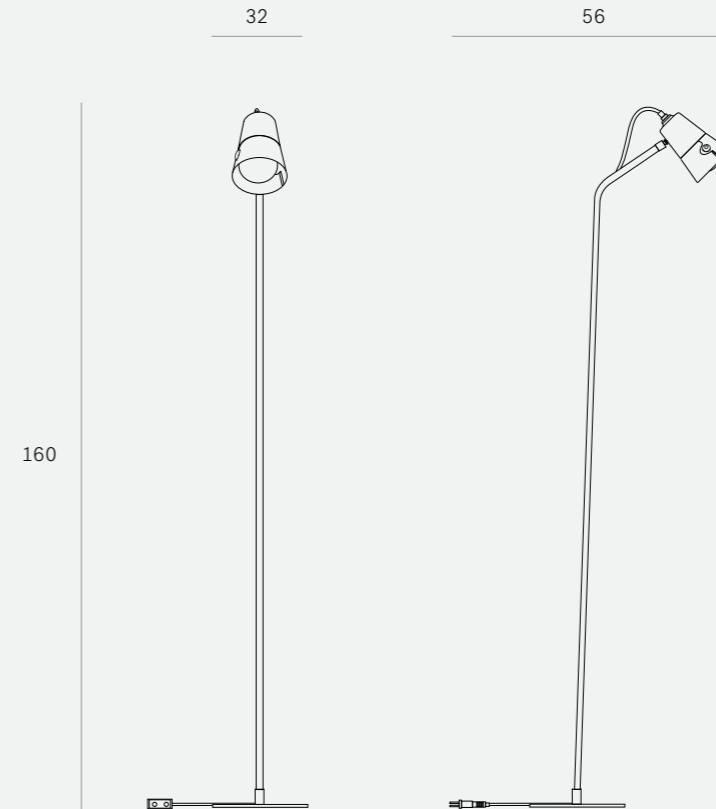
ONLY USE LED BULBS
MAX. 600 LUMEN | E27

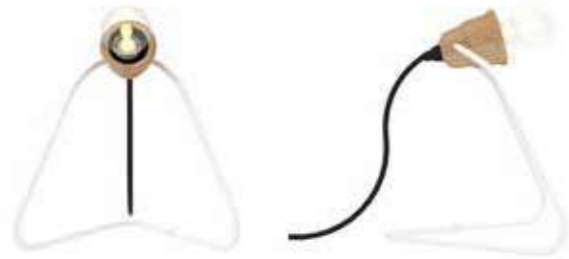


CONE LAMP FLOOR -
OAK ● ◎ FSC 100%
BLACK METAL
26901 56 x 32 x 160 CM

ONLY USE LED BULBS
MAX. 600 LUMEN | E27

DIMENSIONS (CM)





WATTMAN LAMP - OAK ● ◎ FSC 100%
WHITE METAL

26125 22 x 16 x 18 CM

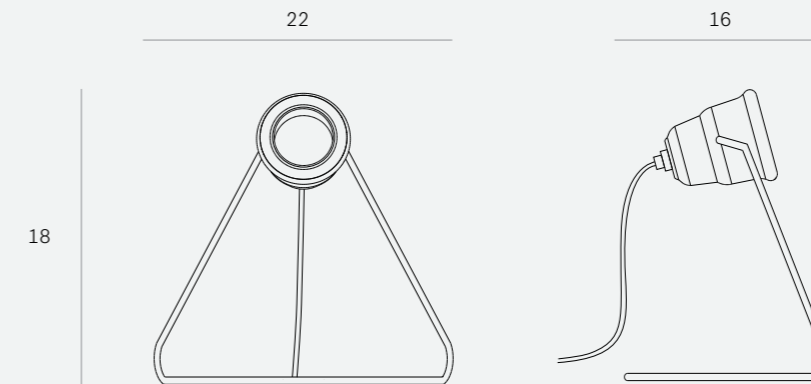


WATTMAN LAMP - OAK ● ◎ FSC 100%
BLACK METAL

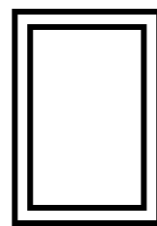
26129 22 x 16 x 18 CM

USE LED OR REGULAR BULB
LED : MAX 400 LUMEN | E27
REGULAR BULB : MAX. 35W | E27

DIMENSIONS (CM)



AND MORE



*It is all about the finishing touches.
Our collection of accessories is perfect to highlight
your personality and create a space your own.*





MIRROR - OAK ● © 100%

51253 90 x 3 x 200 cm



LIGHT FRAME MIRROR - OAK ● © 100%

51298 90 x 5 x 150 cm

51299 90 x 5 x 200 cm

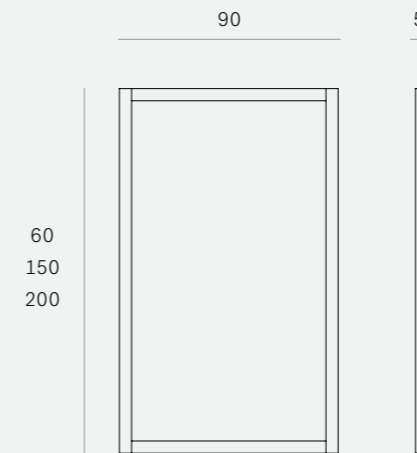
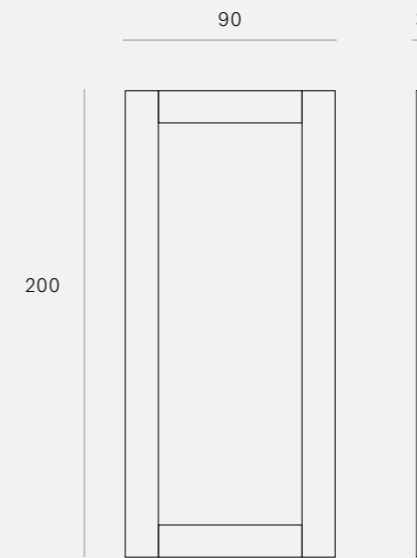


LIGHT FRAME MIRROR - TEAK ●

11134 90 x 5 x 60 cm

11135 90 x 5 x 150 cm

DIMENSIONS (CM)





RAINBOW COAT RACK -
OAK ● ◎ FSC 100%
LIGHT GREY, WHITE, YELLOW, DARK GREY METAL HOOKS

26805 90 x 3 x 11 cm



UTILITILE HOOKED - OAK ● ♻️ 100%

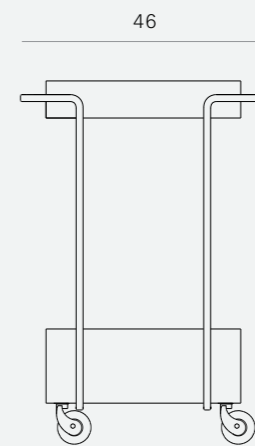
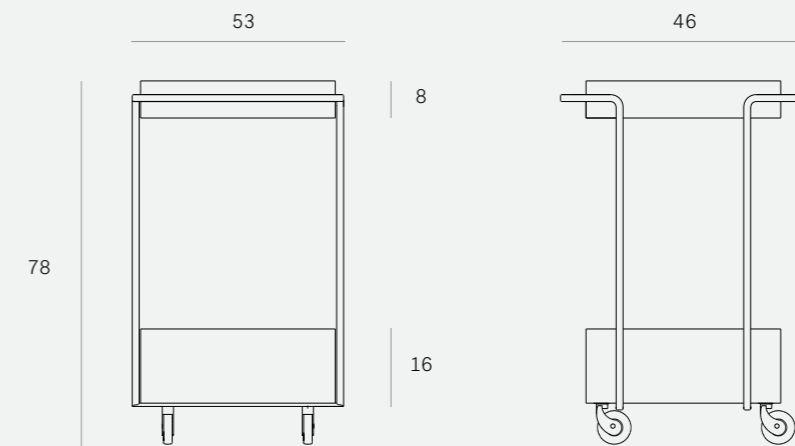
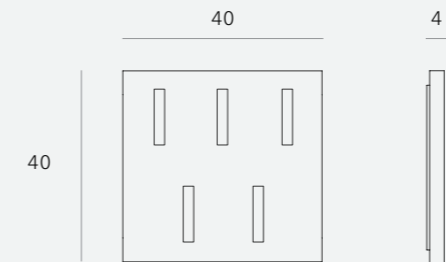
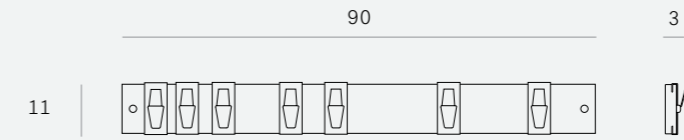
55097 40 x 4 x 40 cm



BAR CART - OAK ● ◎ FSC 100%
BLACK METAL

27100 53 x 46 x 78 cm

DIMENSIONS (CM)





RIBBON SHELF - OAK ● ◎ FSC 100%
WHITE METAL

26616 70 x 20 x 17 CM



RIBBON SHELF - OAK ● ◎ FSC 100%
BLACK METAL

26623 70 x 20 x 17 CM



WALL SHELF - OAK ● ◎

51358 70 x 22 x 5 CM



51359 140 x 22 x 5 CM



51360 210 x 22 x 5 CM



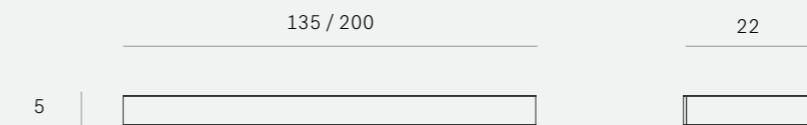
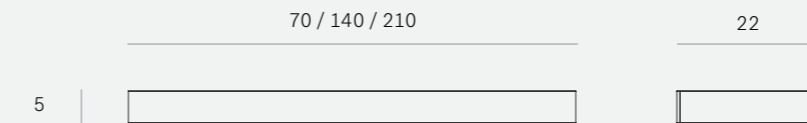
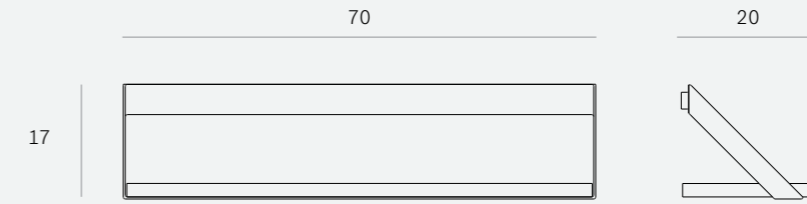
WALL SHELF - TEAK ●

15298 135 x 22 x 5 CM



15299 200 x 22 x 5 CM

DIMENSIONS (CM)





U SHELF SMALL - OAK ●◎ FSC 100%
BLACK METAL

26193 40 x 30 x 30 CM

U SHELF SMALL - OAK ●◎ FSC 100%
DARK GREY METAL

26185 40 x 30 x 30 CM

U SHELF SMALL - OAK ●◎ FSC 100%
WHITE METAL

26186 40 x 30 x 30 CM



U SHELF MEDIUM - OAK ●◎ FSC 100%
DARK GREY METAL

26196 55 x 20 x 20 CM

U SHELF MEDIUM - OAK ●◎ FSC 100%
WHITE METAL

26194 55 x 20 x 20 CM

U SHELF MEDIUM - OAK ●◎ FSC 100%
BLACK METAL

26202 55 x 20 x 20 CM



U SHELF LARGE - OAK ●◎ FSC 100%
WHITE METAL

26204 70 x 15 x 15 CM

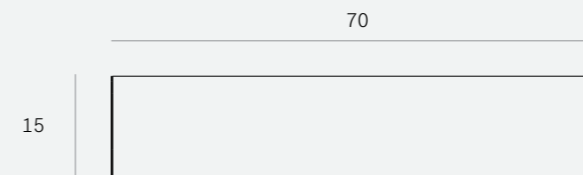
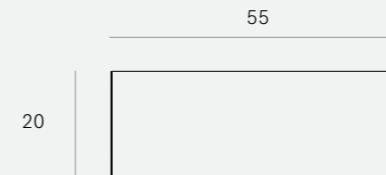
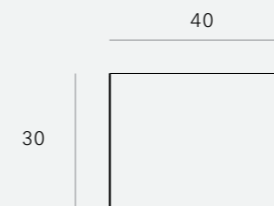
U SHELF LARGE - OAK ●◎ FSC 100%
BLACK METAL

26211 70 x 15 x 15 CM

U SHELF LARGE - OAK ●◎ FSC 100%
DARK GREY METAL

26205 70 x 15 x 15 CM

DIMENSIONS (CM)



HOW TO TAKE CARE OF OUR FURNITURE

Every piece of furniture has its own maintenance requirements, depending on the lifestyle and needs of the user. Caring for solid wooden furniture requires some skill, so it is important to be well informed. Here, you will find our general maintenance guidelines for the different types of wood. On our website (www.ethnicraft.com) you can find a more detailed Maintenance Guide. Do keep in mind that these are only recommendations and that Ethnicraft cannot be held responsible for the results.

OAK FURNITURE

OILED FURNITURE

Most of the Ethnicraft oak furniture is finished with a pigmented hardwax oil. This finish gives the furniture its desired natural color and forms a natural protective coating that acts as a repellent against most common substances and liquids, but is no foolproof guarantee against stains.

DAILY CARE

- For daily care of your furniture, use a damp cloth (not too wet) with a mild solution of warm water and natural soap. Do not use soap containing detergent and in case of a spill, make sure you remove it immediately.

CLEANING & REFRESHING THE SURFACE

- To refresh your furniture or to remove absorbed stains (crayons or pencil marks, wine stains, fruit juice stains, etc.) we recommend Osmo Liquid Wax Cleaner (3029). This product cleans, regenerates and slightly reinforces the original protective coating. For the correct application, please see the Maintenance Guide on our website.

YEARLY CARE

- As time goes by, depending on the amount of wear the furniture gets, the original hardwax coating may need to be renewed. We recommend using Osmo Hardwax Oil Natural (3041). For the correct application, please see the Maintenance

Guide on our website. Please note that it is important to remove excess product after application to avoid white spots after drying.

STUBBORN STAINS & REPAIRS

- In case of stubborn stains or to remove a superficial scratch you may need to sand the surface and apply a new layer of hardwax oil (3041). You can find detailed instructions in the Maintenance Guide on our website.

VARNISHED FURNITURE

Part of the Ethnicraft oak furniture is varnished instead of oiled. You will find varnished items clearly indicated in this catalogue. Varnish offers a good protection against stains, while preserving the natural look of the oak furniture. Even with this preventative treatment, spills should be removed immediately. If the liquid or substance is left to penetrate the wood over a period of time, the furniture will eventually get stained.

DAILY CARE

- For daily care of your furniture, use a damp cloth (not too wet) with a mild solution of warm water and natural soap. Do not use solvent-based cleaning agents as these might damage the varnish.

TEAK FURNITURE

Our teak range comes without any finish or protective treatment. The wood is merely polished, allowing the natural oils to rise to the surface. The high density of teak wood has the advantage that stains stay on the surface and do not penetrate into the wood easily.

DAILY CARE

- For daily care of your furniture, use a damp cloth (not too wet) with a mild solution of warm water and natural soap. Do not use soap containing detergent and in case of a spill, make sure you remove it immediately.

PREVENTIVE TREATMENT

- If you want to protect the wood from the start, apply a protective coating. We recommend Occulto Oil (9911). This seals the pores of the timber and creates a natural protection. Even then, stains and marks should be removed immediately. If liquids or substances are left to penetrate the wood, the furniture will eventually get stained.

STUBBORN STAINS & REPAIRS

- To remove stubborn stains or superficial scratches, extra fine sand paper (minimum 320 grit) can be used. Make sure you always rub in the direction of the wood grain.

WALNUT FURNITURE

All Ethnicraft walnut furniture is finished with a tinted natural oil. This finish forms a natural coating, protecting the wood against most substances and liquids, but is not a complete guarantee against stains.

DAILY CARE

- For daily care of your furniture, use a damp cloth (not too wet) with a mild solution of warm water and natural soap. Do not use soap containing detergent and in case of a spill, make sure you remove it immediately.

CLEANING & REFRESHING THE SURFACE

- To refresh your furniture or to remove absorbed stains (crayons or pencil marks, wine stains, fruit juice stains,...etc.) we recommend Osmo Liquid Wax Cleaner (3029). This product cleans, regenerates and slightly reinforces the original protective coating. For the correct application, please see the Maintenance Guide on our website.

YEARLY CARE

- As time goes by, depending on the amount of wear the furniture gets, the original hardwax coating may need to be renewed. We recommend using Osmo Hardwax Oil for walnut furniture (5063). For the correct application, please see the Maintenance Guide on our website. Please note that it is important to remove excess product after application to avoid white spots after drying.

STUBBORN STAINS & REPAIRS

- In case of stubborn stains or to remove a superficial scratch you may need to sand the surface and apply a new layer of hardwax oil (5063). You can find detailed instructions in the Maintenance Guide on our website

UPHOLSTERED FURNITURE

The upholstery of the sofas and chairs is dry-clean only, which means that the use of water and soap is not recommended since it may leave lighter patches where the fabric has been cleaned. Washing a cushion cover in a washing machine, even at low temperature, will not only make the colour fade, but also shrink the fabric. The upholstery of the teak chairs is made of 100% Belgian linen. It cannot be removed and stains can only be treated with dry-cleaning products. Our leather N501 sofas are designed for indoor use only. To keep the leather sofas in optimal condition we recommend to:

- Wipe the leather furniture down regularly with a clean, dry cloth
- Apply leather conditioner regularly
- Clean spills immediately with a dry cloth
- Avoid soaking the leather in water or soap
- Avoid using any cleaning products not designed for leather
- Keep leather furniture out of direct sunlight

DO'S & DONT'S

- Recommended humidity in the room: between 40% and 60%.
- Ideal room temperature: 21°C during the day, not below 14°C at night.
- Avoid exposure to extreme conditions: do not place furniture near heating sources or in highly air-conditioned spaces.
- Although our furniture – apart from teak – is treated with a protective finish, it can still be susceptible to stains. We therefore recommend that any spills are removed immediately to prevent staining.
- When cleaning the surface, always work in the direction of the wood grain.
- Like any natural material, oak will darken or grow yellow as time goes by. Teak and walnut will fade slightly in direct sunlight. Do not place your furniture in direct sunlight and move any objects placed on the furniture from time to time, to prevent colour differences.
- Use place mats to prevent hot pots and pans or cold glasses and bottles from leaving marks on the furniture.

ABOUT SOLID WOOD

Wood, like any other natural and porous material, continues to absorb and release humidity throughout its life. Ethnicraft designs furniture that adapts well to the hydrometrical conditions of its environment. The structural design of the furniture allows the wood to expand and contract.

Variations in wood grain, texture & colour, knots and other natural characteristics are inherent in solid wood. We believe that these imperfections contribute to the charm of Ethnicraft products. Wood is a natural product and we finish each piece with great skill and artistry. Our craftsmen use different wood-working techniques such as wood inlaying and the use of wood paste. Ethnicraft consciously selects a specific quality of wood that adds more character to its designs.

OUR COMMITMENT

Wood has always been the core material in the Ethnicraft range. We are deeply aware of the impact of our industry on the environment and we take environmental issues to heart: the origin of the wood, the energy we use in the production and distribution process, the treatment of the products and waste reduction – we try to be as environmentally friendly as possible.

THE ORIGIN OF OUR CORE MATERIAL

Ethnicraft's teak wood comes from two main sources. On the one hand, we carefully reclaim timber from neglected buildings or old warehouses, mainly from the island of Central Java in Indonesia. On the other hand, Ethnicraft works closely together with the Indonesian governmental body in charge of managing the teak plantations originally set up by the Dutch about 150 years ago. This government agency applies strict policies with regard to annual replanting and the size and quantity of trees that can be felled each year. Where our oak is concerned: our sister factories use French and Serbian oak from well-managed forests in Europe. Finally, the walnut we are using for our designs comes from American soil.

NO WASTE

Production waste such as leftover logs, wood and sawdust are re-used for other purposes. The sawdust from logs is either used as fuel for the drying ovens or compressed as a base for pellets. All the leftovers from cutting planks to size are recycled and used as base material or as box joints for panels.

FSC® LABEL FOR OUR FURNITURE

Our commitment to the environment is reflected by the FSC® CoC (Chain of Custody) certification of our distribution centers. FSC® is a worldwide independent, non-governmental, non-profit organisation that promotes responsible management of the world's forests. In other words, this organisation guarantees that products carrying the FSC® label come from forests that are managed so that they meet the social, economic and ecological needs of present and future generations. In the case of Ethnicraft NV and Azur, the CoC certificate guarantees that the company is perfectly placed to buy, stock and sell products with a specified FSC® certificate, originating from sustainably managed forests, controlled sources and reclaimed materials, or a mixture of these. At the moment, several of the ranges sold by Ethnicraft carry a FSC® 100% Recycled label, meaning that the products are made from reclaimed timber. Other collections carry the FSC 100% label, which means that these products are made from wood originating from FSC certified plantations. These ranges are clearly indicated in the catalogue. Moreover, every effort is being made to increase the number of ranges with an FSC® label.



The mark of responsible forestry



The mark of responsible forestry

CREDITS

CONCEPT

Art direction, editing & styling: Els Van Roey, misstipi.com

Lay-out: Bas Pattyn, baspattyn.com

LIFESTYLE PHOTOGRAPHY

Nicolas Schimp, nicolasschimp.com

(except p. 149 & 197, from the Ethnecraft archives)

COVER PHOTOGRAPHY

Diane Hendrixx, dianehendrixx.be

PHOTOGRAPHY LOCATIONS

B&B La Micheline, Bioule, Belgium, lamicheline.be:

p. 71 - 205

Unique places - Exclusive settings - Exceptional architecture

by Arnaud Masson, permis-de-construire.be

p. 93-103-121-183

Vintage and art specialist Authentic and so, authenticandso.com:

p.117

ART WORK

p. 93 Mural, Dennis Meyers, remember-souvenir.me

p. 183 Sculpture, Atelier Dalo, atelierdalo.blogspot.com

p. 205 © Alain Biltereyst, biltereyst.com (small paintings)

and Stien Bekaert, the-nelson-collection.com

(framed giclée print 'Fairlight' against wall)

Ethnicraft

RETAIL

Ethnicraft Belgium

Headquarters
Scheldeweg 5
2850 Boom
T + 32 3 443 01 00
F + 32 3 443 01 01
E info@ethnicraft.com

Ethnicraft France

ZAC Euroflory
189, Rue Gabriel Lippmann CS90009
13131 Berre l'Etang CEDEX
T + 33 442 152 152
F + 33 442 152 153
E azur@ethnicraft.com

Ethnicraft Asia

T + 65 83 99 79 64
E info@ethnicraft-asia.com

Ethnicraft USA

High Point, North Carolina
T + 1 336 821 1385
E info@ethnicraft-usa.com

CONTRACT, HOSPITALITY & PROJECTS

Studio Ethnicraft

T + 32 3 443 01 72
E studio@ethnicraft.com

Studio Ethnicraft USA

High Point, North Carolina
T + 1 917 513 0069
E contract@ethnicraft-usa.com

ONLINE

ethnicraft.com

